

# PAPER DECK - A1/B1/C1

# PARTS CATALOG

REVISION 2

## PAPER DECK - A1

A/B SIZE	F24-6301	ZHY00001-
INCH SIZE	F24-6311	ZHZ00001-

## PAPER DECK - B1

A/B SIZE	F24-6305	ZLP00001-
INCH SIZE	F24-6315	ZPT00001-

## PAPER DECK - C1

A/B SIZE	F24-6303	ZQY00001-
INCH SIZE	F24-6313	ZQZ00001-

# Canon

NOV. 1998

# FY8-31D2-020

## PREFACE

This Parts Catalog contains listings of parts used in the PAPER DECK - A1/B1/C1. Diagrams are provided with the listings to aid the service technician in identifying clearly, the item to be ordered.

Whenever ordering parts, consult this Parts Catalog for all of the information pertaining to each item. Be sure to include, in the Parts Request, the full item description, the item part number and the quantity.

Canon Inc.

Office Imaging Products Technical Support Dept.1  
Office Imaging Products Technical Support Div.  
5-1, Hakusan 7-chome,  
Toride-shi, Ibaraki 302-8501, Japan

*COPYRIGHT © 1998 CANON INC.*

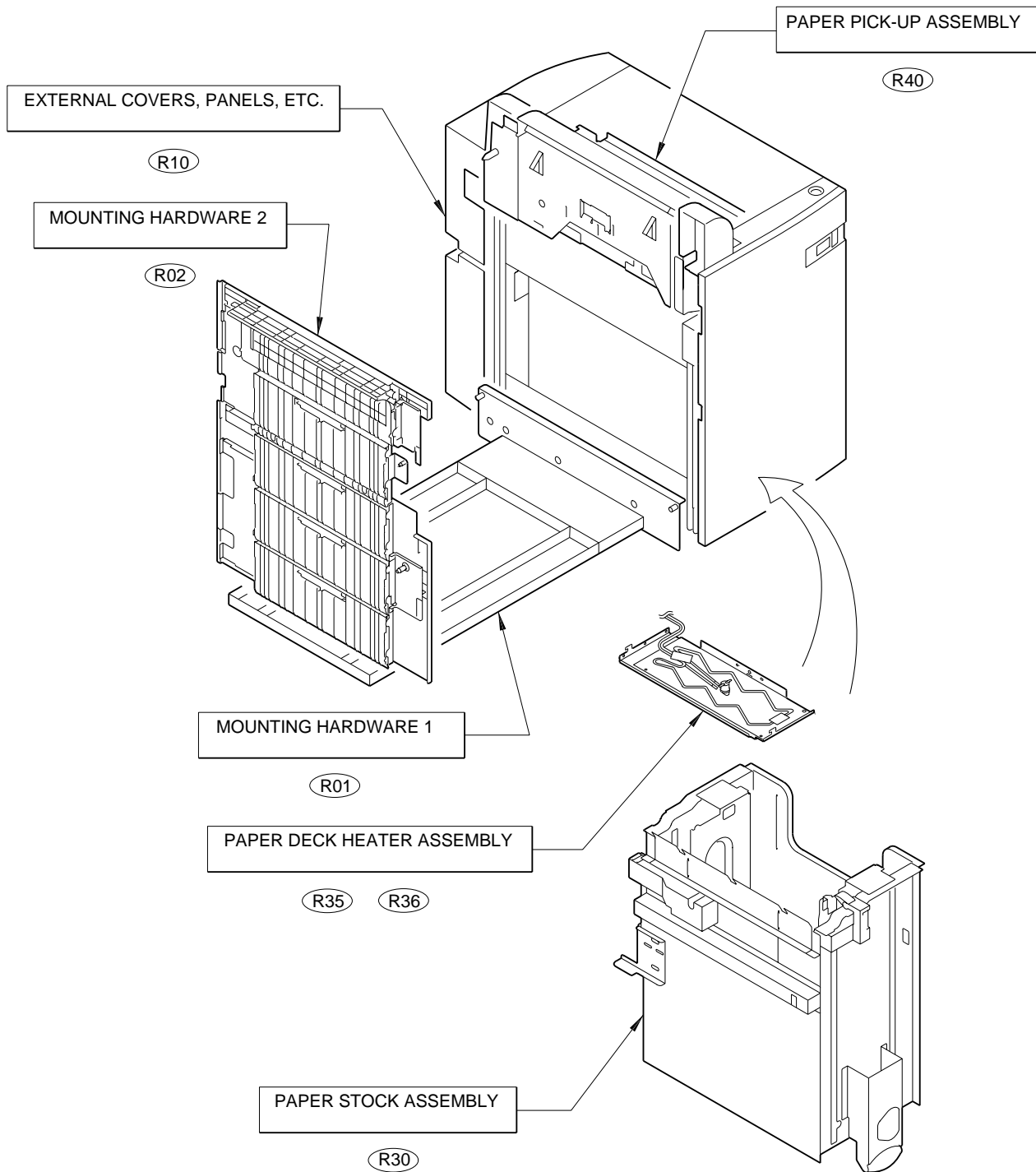
*Printed in Japan*  
*Imprimé au Japon*

# CONTENTS

- RA. ASSEMBLY LOCATION DIAGRAM
  
- R01. MOUNTING HARDWARE 1 (A1 TYPE)
- R02. MOUNTING HARDWARE 2 (A1 TYPE)
- R03. MOUNTING HARDWARE 1 (B1 TYPE)
- R04. MOUNTING HARDWARE 2 (B1 TYPE)
- R05. MOUNTING HARDWARE (C1 TYPE)
  
- R10. EXTERNAL COVERS, PANELS, ETC.
- R11. INTERNAL COMPONENTS (A1 TYPE)
- R12. INTERNAL COMPONENTS (B1/C1 TYPE)
  
- R30. PAPER STOCK ASSEMBLY (A1 TYPE)
- R31. PAPER STOCK ASSEMBLY (B1/C1 TYPE)
- R35. PAPER DECK HEATER ASSEMBLY (ACCESSORY)  
HEATER KIT 10/14
- R36. PAPER DECK HEATER ASSEMBLY (ACCESSORY)  
HEATER KIT 11/16
  
- R40. PAPER PICK-UP ASSEMBLY (A1 TYPE)
- R41. PAPER PICK-UP ASSEMBLY (B1/C1 TYPE)
  
- RB1. LIST OF CONNECTORS (A1 TYPE)
- RB2. LIST OF CONNECTORS (B1/C1 TYPE)
  
- C. LIST OF STANDARD FASTENERS
  
- D. NUMERICAL INDEX

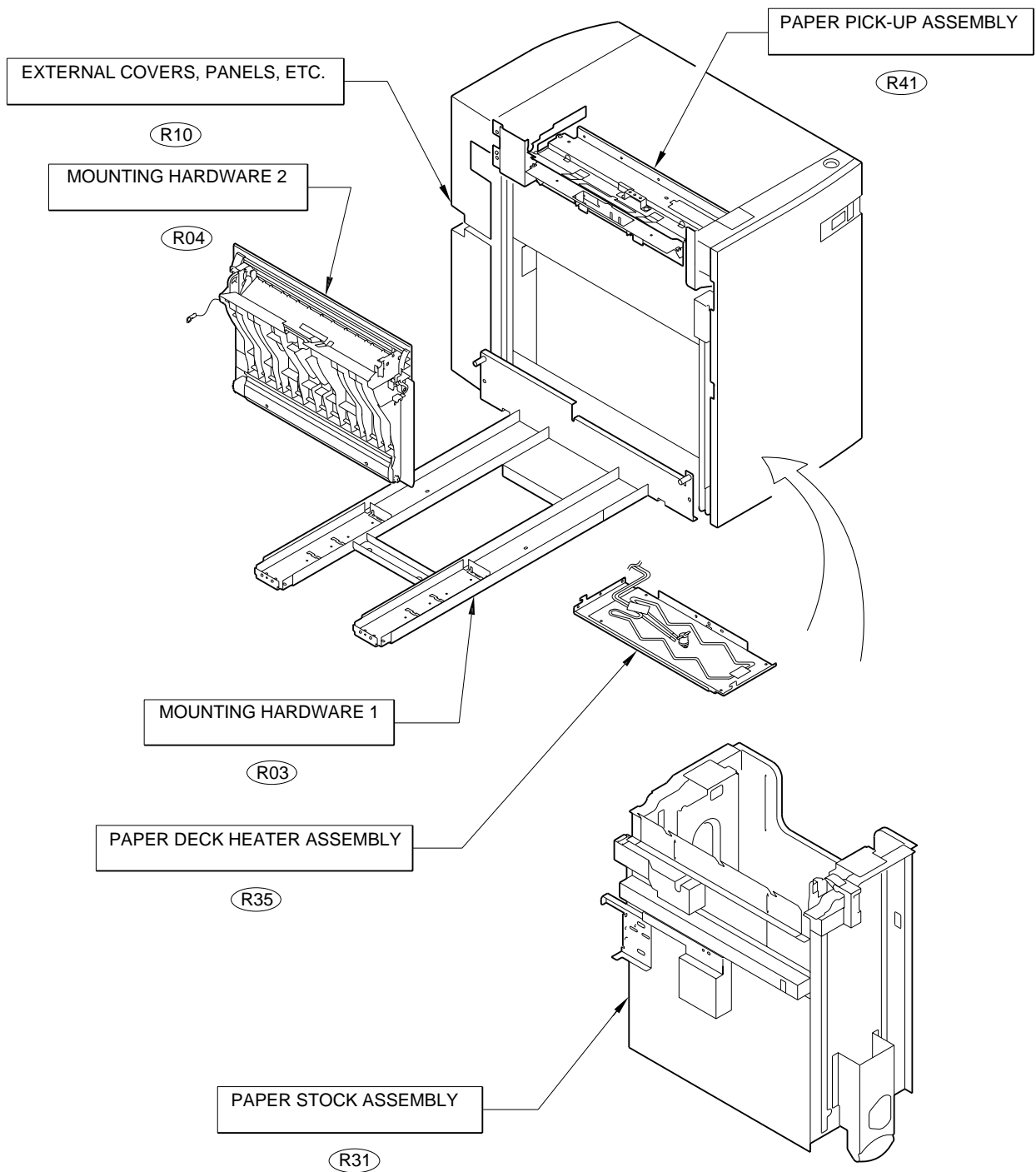
# FIGURE RA ASSEMBLY LOCATION DIAGRAM(1/3)

## PAPER DECK-A1



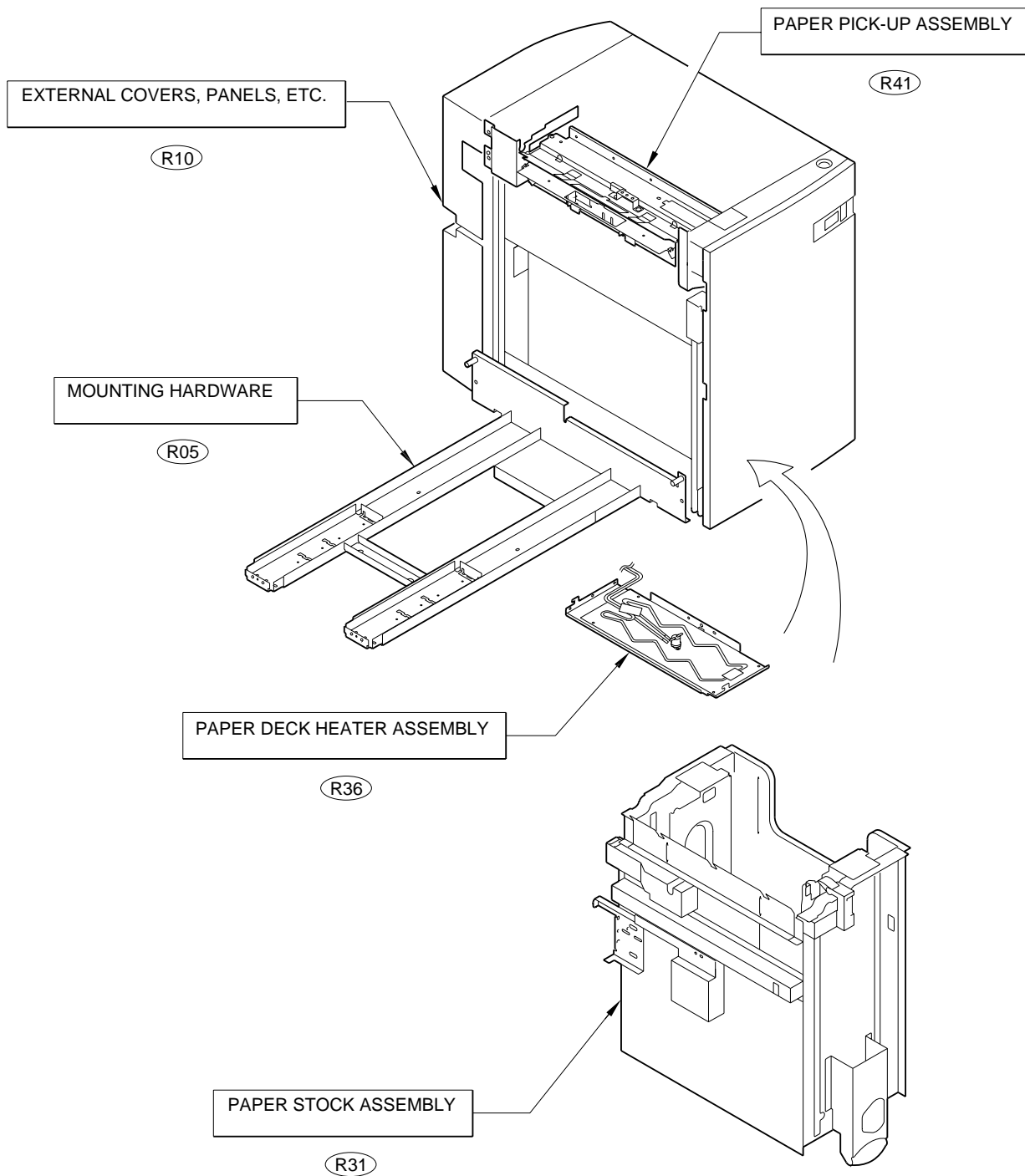
# FIGURE RA ASSEMBLY LOCATION DIAGRAM(2/3)

## PAPER DECK-B1



# FIGURE RA ASSEMBLY LOCATION DIAGRAM(3/3)

## PAPER DECK-C1



# FIGURE R01 MOUNTING HARDWARE 1 (A1 TYPE)

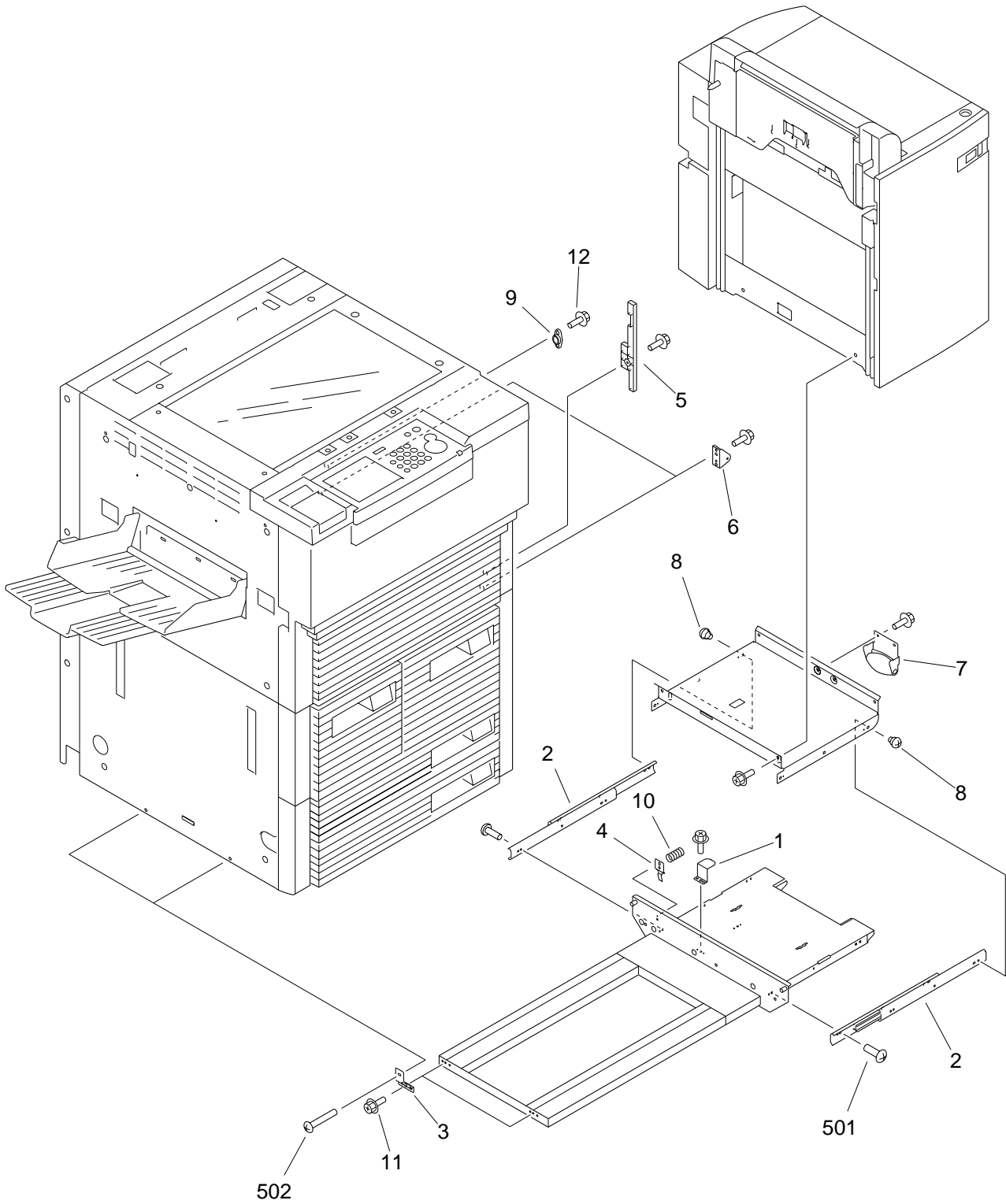


FIGURE & KEY NO.	PART NUMBER	RANK	QTY	DESCRIPTION	SERIAL NUMBER / REMARKS
R01 -	NPN		RF	MOUNTING HARDWARE 1	A1 TYPE
1	FB3 - 9267 - 000		1	PLATE, DECK SENSOR FLAG	
2	FB3 - 9268 - 000		2	RAIL, FRAME SLIDE	
3	FB3 - 9718 - 000		2	PLATE, CROSSMEMBER SUPPORT	
4	FB3 - 9746 - 000		1	SPRING, LEAF	
5	FB3 - 9889 - 000		1	COVER, SIDE	
6	FF5 - 6149 - 000		2	PLATE, LATCH	
7	FF5 - 6156 - 000		1	SUPPORT, ROLLER	
8	FS2 - 9343 - 000		3	SCREW, STEPPED, M4	
9	FS5 - 1469 - 020		1	BUSHING, 1	
10	FS6 - 2679 - 000		1	SPRING, COMPRESSION	
11	XA9 - 0732 - 000		4	SCREW, RS, M4X8	
12	XA9 - 0732 - 000		AR	SCREW, RS, M4X8	
501	XB1 - 2400 - 609		9	SCREW, MACH., TRUSS HEAD, M4X6	
502	XB1 - 2401 - 207		1	SCREW, MACH., TRUSS HEAD, M4X12	



# FIGURE R02 MOUNTING HARDWARE 2 (A1 TYPE)

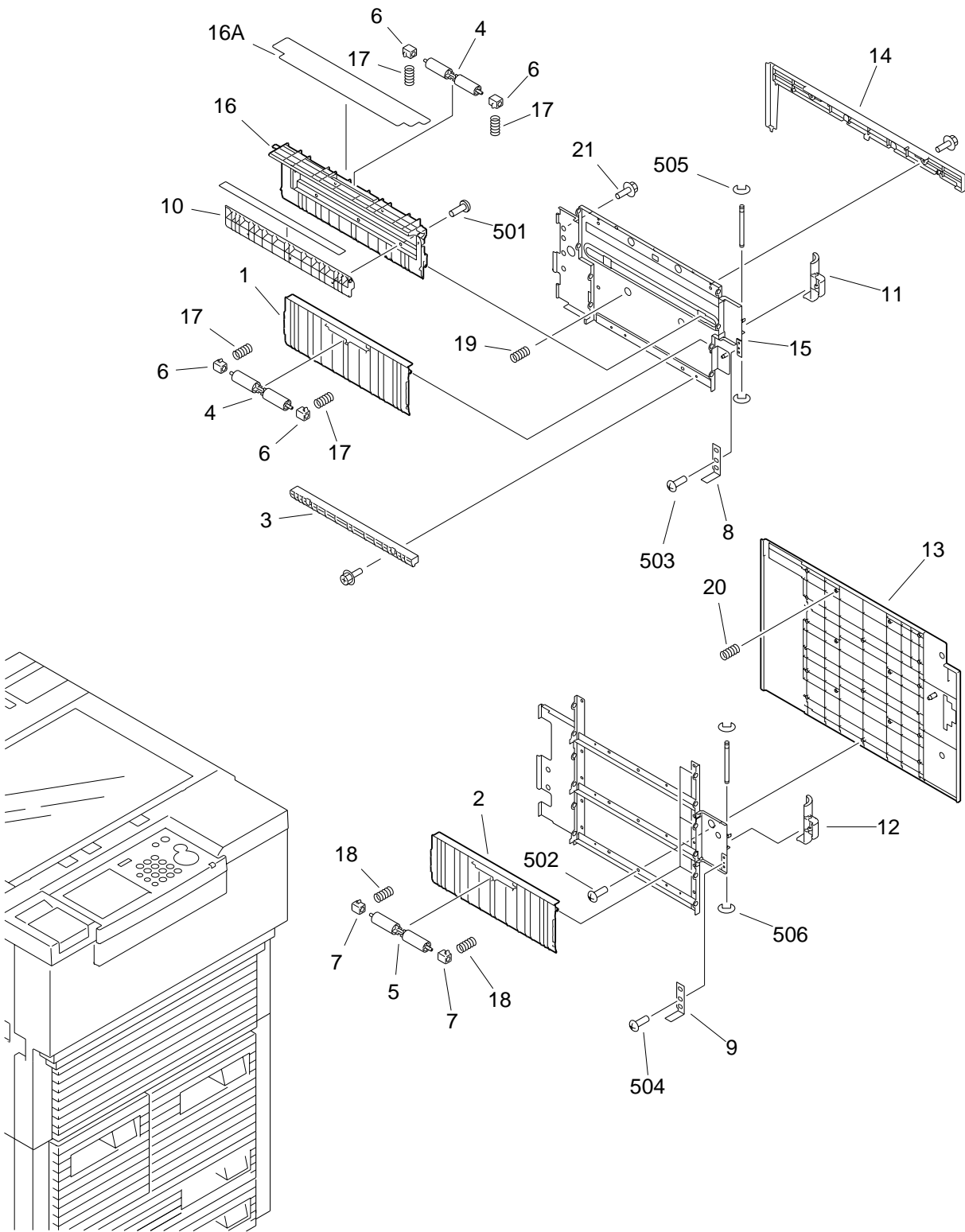


FIGURE & KEY NO.	PART NUMBER	RANK	QTY	DESCRIPTION	SERIAL NUMBER / REMARKS
R02 -	NPN		RF	MOUNTING HARDWARE 2	A1 TYPE
1	FB2 - 7750 - 000		1	GUIDE, VERTICAL PATH SWING	
2	FB2 - 7750 - 000		3	GUIDE, VERTICAL PATH SWING	
3	FB2 - 7751 - 000		1	GUIDE, VERTICAL PATH SUPPORT	
4	FB2 - 7754 - 000		2	ROLLER	
5	FB2 - 7754 - 000		3	ROLLER	
6	FB2 - 7755 - 000		4	BUSHING	
7	FB2 - 7755 - 000		6	BUSHING	
8	FB2 - 8507 - 000		1	FLAG, RIGHT DOOR	
9	FB2 - 8507 - 000		1	FLAG, RIGHT DOOR	
10	FB3 - 9883 - 000		1	GUIDE, SWING AUXILIARY	
11	FB3 - 9884 - 000		1	HANDLE, RIGHT DOOR	
12	FB3 - 9884 - 000		1	HANDLE, RIGHT DOOR	
13	FB3 - 9886 - 000		1	RIGHT DOOR, UNDER	
14	FB3 - 9888 - 000		1	COVER, RIGHT DOOR, UPPER	
15	FF5 - 6300 - 000		1	FRAME, RIGHT DOOR, UPPER	
16	FF5 - 6307 - 000		1	GUIDE, REGISTRATION, SWING	
16 A	FB2 - 7768 - 000		1	DAMPER	
17	FS5 - 2921 - 000		4	SPRING, COMPRESSION	
18	FS5 - 2921 - 000		6	SPRING, COMPRESSION	
19	FS5 - 2922 - 000		4	SPRING, COMPRESSION	
20	FS5 - 2922 - 000		6	SPRING, COMPRESSION	
21	XA9 - 0732 - 000		4	SCREW,RS,M4X8	
501	XB4 - 7400 - 609		3	SCREW,TAPPING,TRUSS HEAD,M4X6	
502	XB4 - 7400 - 609		11	SCREW,TAPPING,TRUSS HEAD,M4X6	
503	XB6 - 7300 - 309		1	SCREW,TP,M3X3	
504	XB6 - 7300 - 309		1	SCREW,TP,M3X3	
505	XD2 - 1100 - 242		2	RING,E	
506	XD2 - 1100 - 242		2	RING,E	

# FIGURE R03 MOUNTING HARDWARE 1 (B1 TYPE)

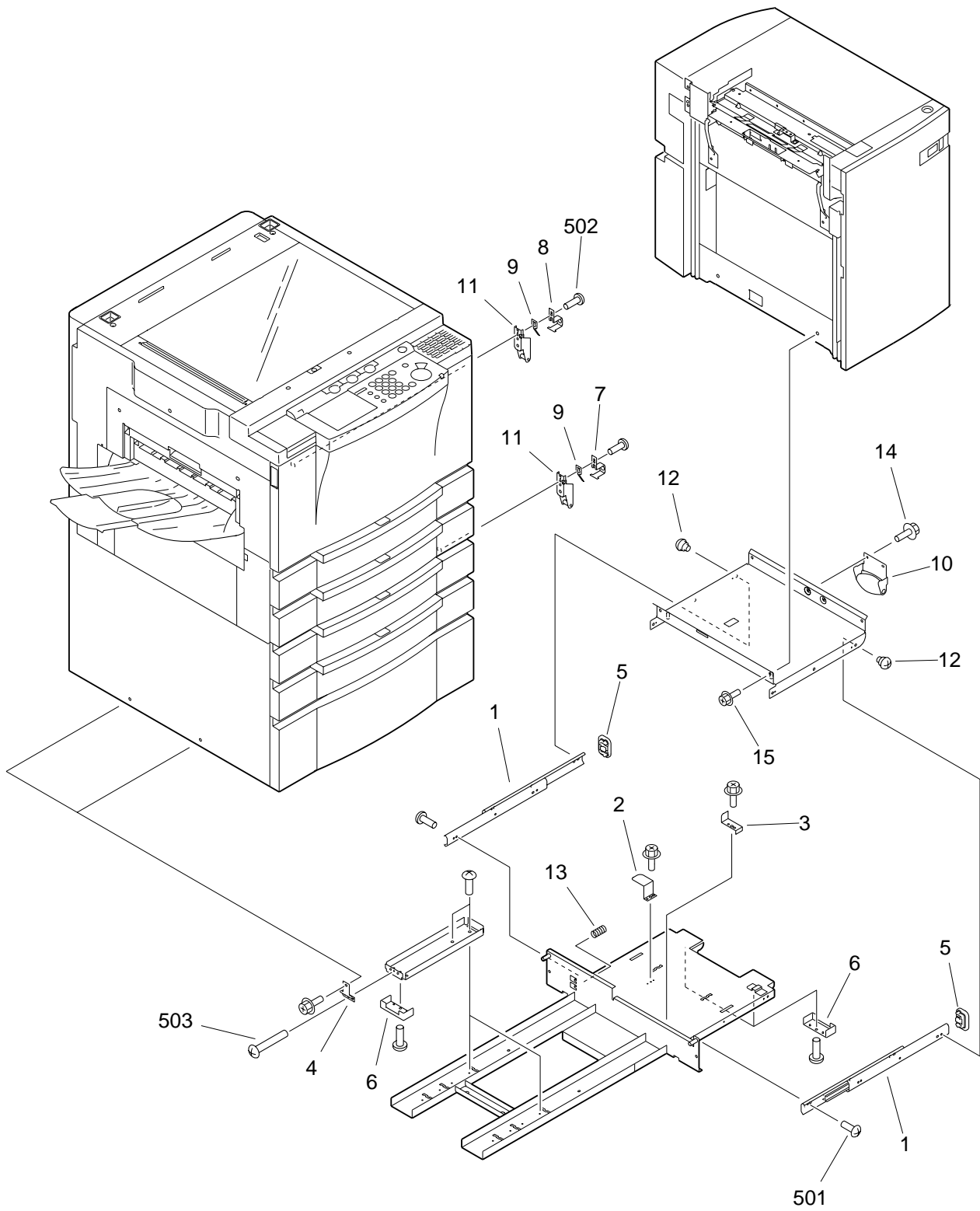


FIGURE & KEY NO.	PART NUMBER	R A N K	Q' T Y	DESCRIPTION	SERIAL NUMBER / REMARKS
R03 -	NPN		RF	MOUNTING HARDWARE 1	B1 TYPE
1	FB4 - 4867 - 000		2	RAIL, FRAME SLIDE	
2	FB4 - 4918 - 000		1	PLATE, DECK SENSOR FLAG	
3	FB4 - 4919 - 000		1	PLATE, DECK STOPPER	
4	FB4 - 4920 - 000		2	PLATE, CROSSMEMBER SUPPORT	
5	FB4 - 4932 - 000		2	CAP, RAIL	
6	FB4 - 4933 - 000		4	COVER, BOTTOM CROSSMEMBER	
7	FB4 - 6576 - 000		1	PLATE, LATCH, FRONT	
8	FB4 - 6577 - 000		1	PLATE, LATCH, REAR	
9	FB4 - 6578 - 000		2	SPRING, LEAF	
10	FF5 - 6156 - 000		1	SUPPORT, ROLLER	
11	FF5 - 7511 - 000		2	PLATE, LATCH	
12	FS2 - 9343 - 000		3	SCREW, STEPPED, M4	
13	FS6 - 2896 - 000		1	SPRING, COMPRESSION	
14	XA9 - 0732 - 000		4	SCREW, RS, M4X8	
15	XA9 - 0732 - 000		4	SCREW, RS, M4X8	
501	XB1 - 2400 - 609		17	SCREW, MACH., TRUSS HEAD, M4X6	
502	XB1 - 2400 - 809		2	SCREW, MACH., TRUSS HEAD, M4X8	
503	XB1 - 2401 - 207		2	SCREW, MACH., TRUSS HEAD, M4X12	

# FIGURE R04 MOUNTING HARDWARE 2 (B1 TYPE)

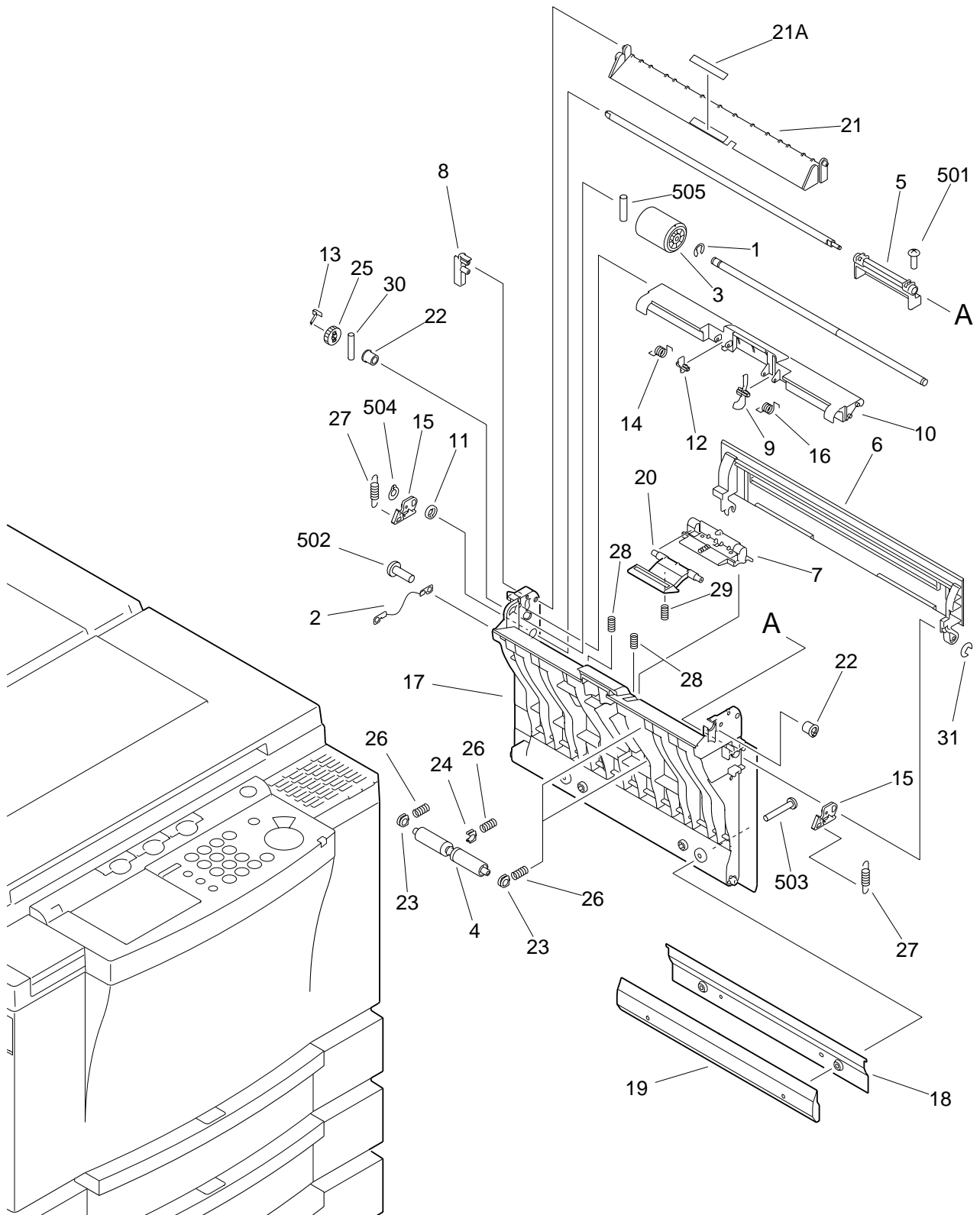


FIGURE & KEY NO.	PART NUMBER	RANK	QTY	DESCRIPTION	SERIAL NUMBER / REMARKS
R04 -	NPN		RF	MOUNTING HARDWARE 2	B1 TYPE
1	FA4 - 1159 - 000		1	RING, RETAINING	
2	FB1 - 8439 - 000		1	WIRE, DOOR SUPPORT	
3	FB1 - 8581 - 000		1	ROLLER, MULTI FEED	
4	FB3 - 2811 - 000		2	ROLLER, BELT IDLER	
5	FB3 - 2812 - 000		1	HANDLE, RIGHT DOOR	
6	FB3 - 2814 - 000		1	DOOR, RIGHT, UPPER	
7	FB3 - 2815 - 000		1	ARM, MULTI FEED, 1	
8	FB3 - 2817 - 040		1	ARM, CAM FOLLOWER	
9	FB3 - 2818 - 020		1	FLAG, PAPER SENSOR, 1	
10	FB3 - 2819 - 000		1	COVER, MULTI FEED ROLLER	
11	FB3 - 2821 - 000		1	BUSHING	
12	FB3 - 2833 - 000		1	FLAG, PAPER SENSOR, 2	
13	FB3 - 2834 - 000		1	PLATE, MULTI ROLLER GROUNDING	
14	FB3 - 2835 - 000		1	SPRING, TORSION	
15	FB3 - 2837 - 000		2	HOOK, RIGHT DOOR	
16	FB4 - 3170 - 000		1	SPRING, TORSION	
17	FB4 - 6572 - 000		1	DOOR, RIGHT	
18	FB4 - 6573 - 000		1	PLATE, INNER PAPER	
19	FB4 - 6574 - 000		1	GUIDE, INNER PAPER	
20	FC1 - 9022 - 030		1	ARM, MULTI FEED	
21	FF5 - 4488 - 000		1	PLATE, MULTI FEED	
21 A	FB1 - 8584 - 000		1	SHEET, MULTI FEED PLATE	
22	FS5 - 1209 - 000		2	BUSHING	
23	FS5 - 1595 - 000		4	BUSHING, VERTICAL ROLLER	
24	FS5 - 1598 - 000		2	BUSHING, VERTICAL ROLLER	
25	FS6 - 0578 - 000		1	GEAR, 19T	
26	FS6 - 2308 - 000		6	SPRING, COMPRESSION	
27	FS6 - 2337 - 000		2	SPRING, TENSION	
28	FS6 - 2790 - 000		2	SPRING, COMPRESSION	



# FIGURE R05 MOUNTING HARDWARE (C1 TYPE)

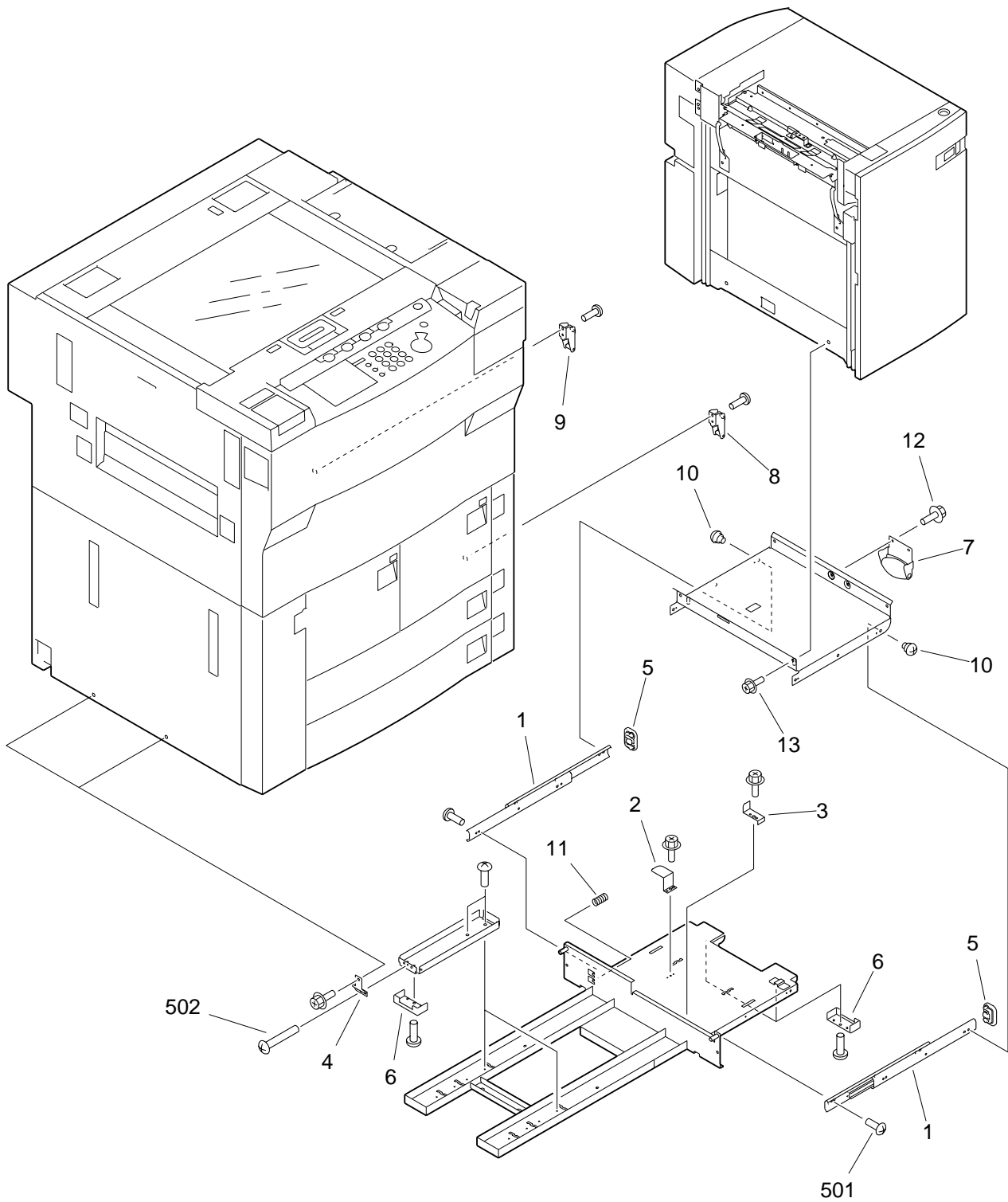




FIGURE & KEY NO.	PART NUMBER	RANK	QTY	DESCRIPTION	SERIAL NUMBER / REMARKS
R05 -	NPN		RF	MOUNTING HARDWARE	C1 TYPE
1	FB4 - 4867 - 000		2	RAIL, FRAME SLIDE	
2	FB4 - 4918 - 000		1	PLATE, DECK SENSOR FLAG	
3	FB4 - 4919 - 000		1	PLATE, DECK STOPPER	
4	FB4 - 4920 - 000		2	PLATE, CROSSMEMBER SUPPORT	
5	FB4 - 4932 - 000		2	CAP, RAIL	
6	FB4 - 4933 - 000		4	COVER, BOTTOM CROSSMEMBER	
7	FF5 - 6156 - 000		1	SUPPORT, ROLLER	
8	FF5 - 7537 - 000		1	PLATE, LATCH, FRONT	
9	FF5 - 7538 - 000		1	PLATE, LATCH, REAR	
10	FS2 - 9343 - 000		3	SCREW, STEPPED, M4	
11	FS6 - 2896 - 000		1	SPRING, COMPRESSION	
12	XA9 - 0732 - 000		4	SCREW, RS, M4X8	
13	XA9 - 0732 - 000		4	SCREW, RS, M4X8	
501	XB1 - 2400 - 609		17	SCREW, MACH., TRUSS HEAD, M4X6	
502	XB1 - 2401 - 207		2	SCREW, MACH., TRUSS HEAD, M4X12	

# FIGURE R10 EXTERNAL COVERS, PANELS, ETC.

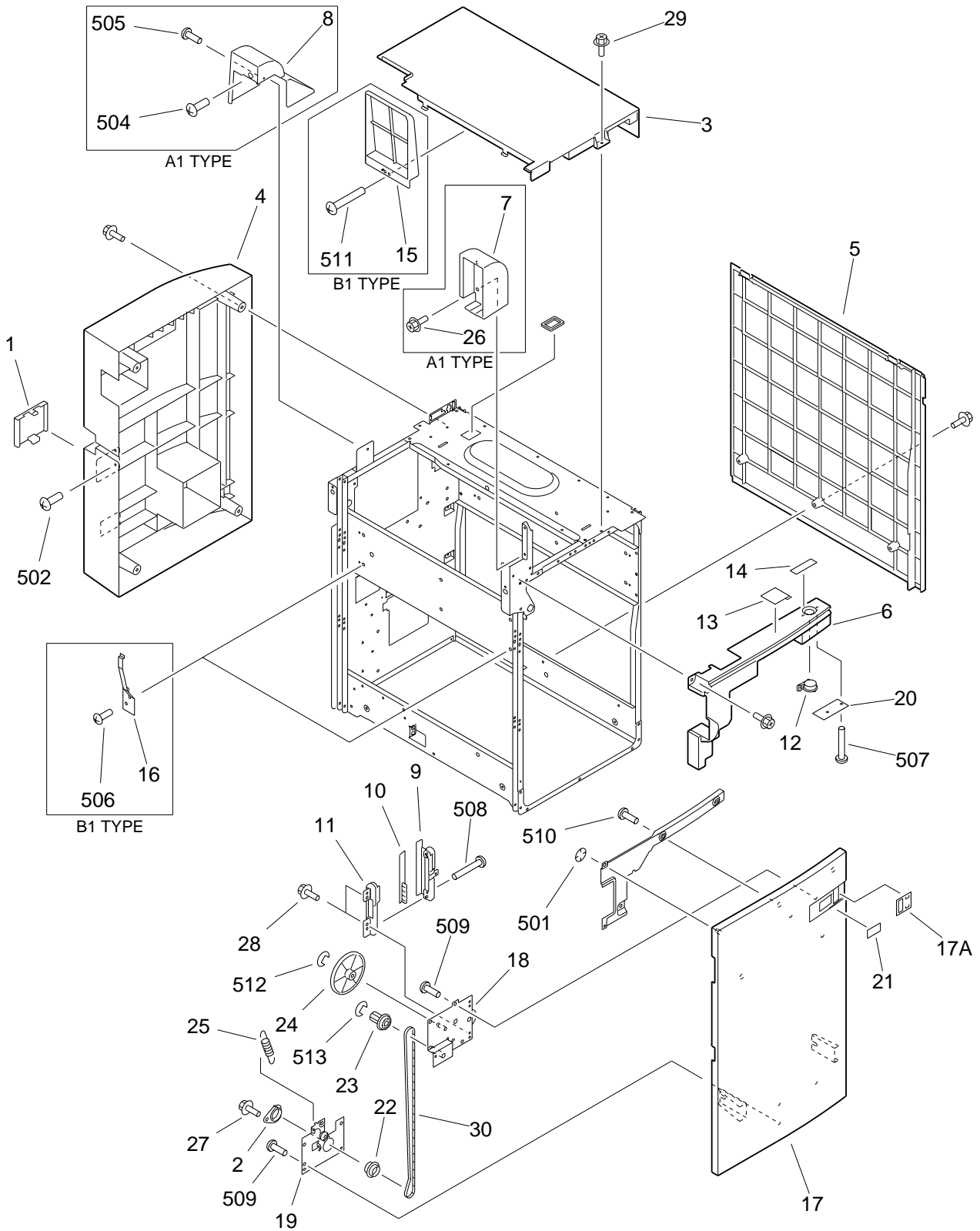


FIGURE & KEY NO.	PART NUMBER	RANK	QTY	DESCRIPTION	SERIAL NUMBER / REMARKS
R10 -	NPN		RF	EXTERNAL COVERS, PANELS, ETC.	
1	FB2 - 8021 - 000		1	COVER, CAP, LEFT	
2	FB3 - 9270 - 000		1	BUSHING	
3	FB3 - 9281 - 000		1	COVER, UPPER	A1 TYPE
	FB4 - 4926 - 000		1	COVER, UPPER	B1/C1 TYPE
4	FB3 - 9283 - 020		1	COVER, REAR	
5	FB3 - 9284 - 000		1	COVER, RIGHT	
6	FB3 - 9285 - 000		1	COVER, SWITCH	A1 TYPE
	FB4 - 4925 - 000		1	COVER, SWITCH	B1/C1 TYPE
7	FB3 - 9287 - 000		1	COVER, UPPER GUIDE, FRONT	A1 TYPE
8	FB3 - 9288 - 000		1	COVER, UPPER GUIDE, REAR	A1 TYPE
9	FB3 - 9291 - 000		1	MOUNT, PAPER INDEX, RIGHT	
10	FB3 - 9292 - 000		1	TAPE, PAPER INDEX	
11	FB3 - 9293 - 000		1	MOUNT, PAPER INDEX, LEFT	
12	FB3 - 9711 - 000		1	BUTTON, RELEASE	
13	FB3 - 9749 - 000		1	LABEL, "HANDLE"	
14	FB3 - 9751 - 000		1	LABEL, "DECK OPEN "	
15	FB4 - 6579 - 000		1	COVER, HANDLE	B1 TYPE
16	FB4 - 6580 - 000		2	PLATE, SLOPE GUIDE	B1 TYPE
17	FF5 - 6162 - 020		1	COVER, FRONT	
17 A	FB3 - 9732 - 000		1	PANEL, PAPER INDEX	
18	FF5 - 6163 - 000		1	PAPER QUANTITY INDICATOR UNIT	
19	FF5 - 6164 - 000		1	TENSIONER	
20	FG5 - 9288 - 000		1	SWITCH PCB ASSEMBLY	
21	FS5 - 8852 - 000		1	SHEET, PAPER SIZE	A1 TYPE
	FS6 - 8412 - 000		1	SHEET, PAPER SIZE	B1/C1 TYPE
22	FS6 - 0911 - 000		1	PULLEY, 32T	
23	FS6 - 0912 - 000		1	PULLEY, 32T/GEAR, 15T	
24	FS6 - 0913 - 000		1	GEAR, 18T/96T	
25	FS6 - 2677 - 000		1	SPRING, TENSION	

FIGURE & KEY NO.	PART NUMBER	RANK	QTY	DESCRIPTION	SERIAL NUMBER / REMARKS
R10 - 26	XA9 - 0643 - 000		2	SCREW,RS,M4X10	A1 TYPE
27	XA9 - 0732 - 000		1	SCREW,RS,M4X8	
28	XA9 - 0732 - 000		2	SCREW,RS,M4X8	
29	XA9 - 0732 - 000		AR	SCREW,RS,M4X8	
30	XF9 - 0642 - 000		1	BELT, DRIVE	
501	XD2 - 2300 - 402		1	RING,TOOTHED LOCK	
502	XB1 - 2300 - 806		2	SCREW,MACH.,TRUSS HEAD,M3X8	
503	XB1 - 2400 - 609		6	SCREW,MACH.,TRUSS HEAD,M4X6	
504	XB1 - 2400 - 806		1	SCREW,MACH.,TRUSS HEAD,M4X8	A1 TYPE
505	XB1 - 2400 - 806		1	SCREW,MACH.,TRUSS HEAD,M4X8	A1 TYPE
506	XB1 - 2400 - 809		2	SCREW,MACH.,TRUSS HEAD,M4X8	B1 TYPE
507	XB4 - 7301 - 209		2	SCREW,TAPPING,TRUSS HEAD,M3X12	
508	XB4 - 7301 - 209		2	SCREW,TAPPING,TRUSS HEAD,M3X12	
509	XB4 - 7400 - 807		8	SCREW,TAPPING,TRUSS HEAD,M4X8	
510	XB4 - 7400 - 807		3	SCREW,TAPPING,TRUSS HEAD,M4X8	
511	XB4 - 7401 - 006		1	SCREW,TAPPING,TRUSS HEAD,M4X10	B1 TYPE
512	XD2 - 1100 - 502		1	RING,E	
513	XD2 - 1100 - 642		1	RING,E	

# FIGURE R11 INTERNAL COMPONENTS (A1 TYPE)

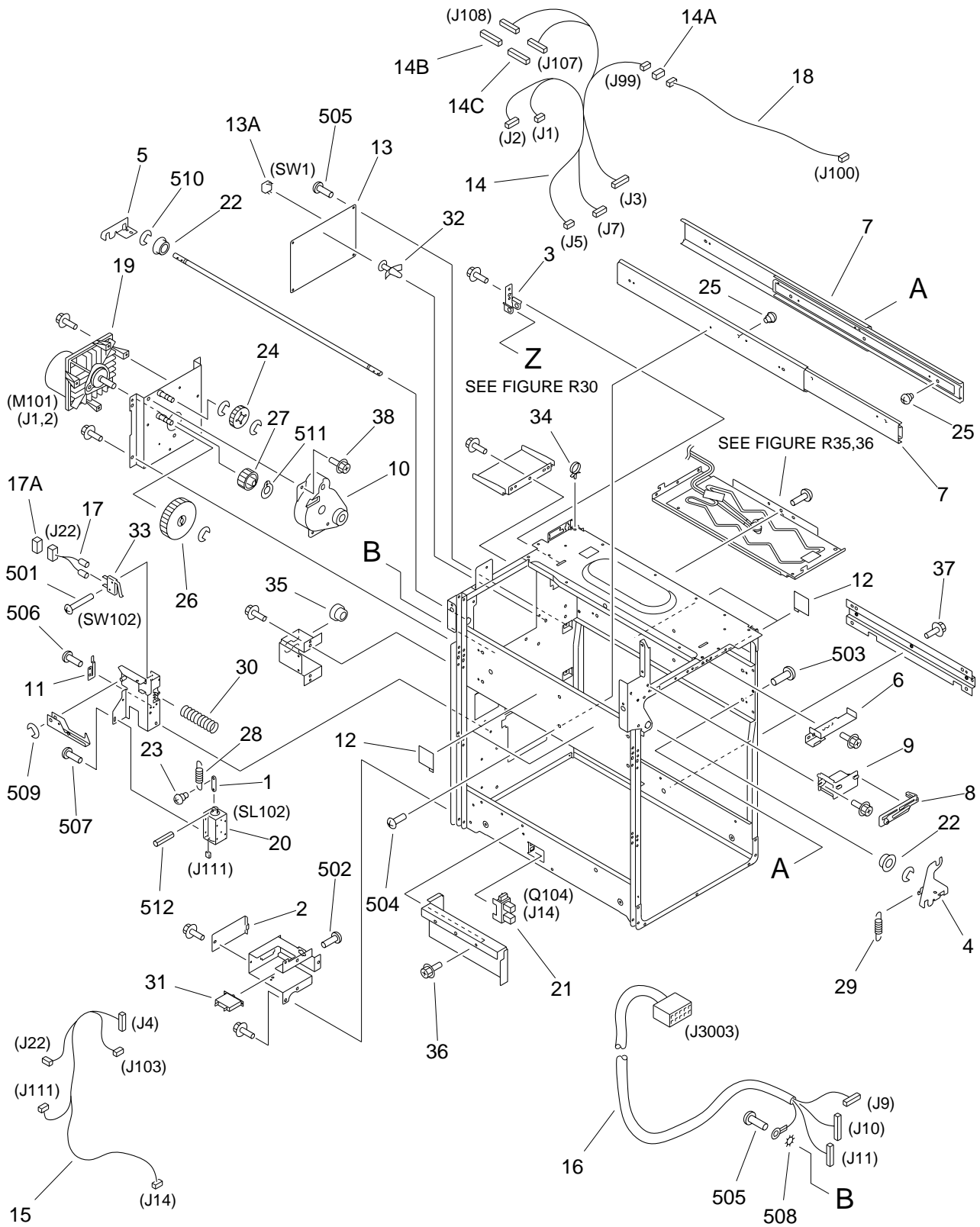


FIGURE & KEY NO.	PART NUMBER	RANK	QTY	DESCRIPTION	SERIAL NUMBER / REMARKS
R11 -	NPN		RF	INTERNAL COMPONENTS	A1 TYPE
1	FA6 - 7751 - 000		1	ARM, LOCK	
2	FB2 - 8293 - 000		1	COVER, CONNECTOR	
3	FB3 - 9234 - 000		1	HOLDER, CORD GUIDE	
4	FB3 - 9254 - 000		1	HOOK, FRONT	
5	FB3 - 9255 - 000		1	HOOK, REAR	
6	FB3 - 9260 - 000		1	PLATE, CAM RELEASE	
7	FB3 - 9261 - 000		2	RAIL, SLIDE	
8	FB3 - 9290 - 000		1	LINK, RELEASE LEVER	
9	FB3 - 9727 - 000		1	COVER, RELEASE LEVER	
10	FB3 - 9730 - 000		1	COVER, GEAR	
11	FB3 - 9739 - 000		1	SPRING, LEAF	
12	FB3 - 9749 - 000		4	LABEL, "HANDLE"	
13	FG5 - 9108 - 020		1	DECK DRIVER PCB ASSEMBLY	
13 A	WC8 - 0222 - 000		1	SWITCH, DIP	SW1
14	FG5 - 9293 - 000		1	CABLE, FRAME, 1	J1-3,5,7,99,107,108
14 A	VS1 - 5057 - 004		1	CONNECTOR, SNAP TIGHT	J99
14 B	VS1 - 5057 - 010		1	CONNECTOR, SNAP TIGHT	J108
14 C	VS1 - 5057 - 014		1	CONNECTOR, SNAP TIGHT	J107
15	FG5 - 9294 - 000		1	CABLE, FRAME, 2	J4,14,22,103,111
16	FG5 - 9295 - 000		1	CABLE, INTERFACE	J9-11,3003
17	FG5 - 9361 - 000		1	CABLE, SWITCH	J22
17 A	VS1 - 5057 - 003		1	CONNECTOR, SNAP TIGHT	J22
18	FG5 - 9363 - 000		1	CABLE, LED SWITCH	J99,100
19	FH6 - 1408 - 000		1	MOTOR, STEPPING, DC	M101 J1,2
20	FH7 - 5446 - 000		1	SOLENOID	SL102 J111
21	FH7 - 7312 - 000		1	PHOTO-INTERRUPTER	Q104 J14
22	FS1 - 1189 - 000		2	BUSHING	
23	FS1 - 9009 - 000		1	SCREW, STEPPED, M3	
24	FS2 - 0544 - 000		1	GEAR, 24T	

FIGURE & KEY NO.	PART NUMBER	RANK	QTY	DESCRIPTION	SERIAL NUMBER / REMARKS
R11 - 25	FS2 - 9343 - 000		4	SCREW, STEPPED, M4	
26	FS6 - 0072 - 000		1	GEAR, 70T	
27	FS6 - 0910 - 000		1	GEAR, 32T	
28	FS6 - 2593 - 000		1	SPRING, TENSION	
29	FS6 - 2674 - 000		1	SPRING, TENSION	
30	FS6 - 2676 - 000		1	SPRING, COMPRESSION	
31	VD7 - 0502 - 001		1	BREAKER, CIRCUIT, 125VAC 3A	
32	VT2 - 0002 - 003		1	SPACER, SUPPORT	
33	WC4 - 5148 - 000		1	MICRO SWITCH	SW102
34	WT2 - 5169 - 000		1	CLAMP, CABLE	
35	X62 - 6825 - 000		1	BUSHING	
36	XA9 - 0732 - 000		20	SCREW, RS, M4X8	
37	XA9 - 0732 - 000		12	SCREW, RS, M4X8	
38	XA9 - 0949 - 000		6	SCREW, RS, M4X10	
501	XB1 - 2231 - 009		1	SCREW, MACH., TRUSS HEAD, M2.3X10	
502	XB1 - 2300 - 409		2	SCREW, MACH., TRUSS HEAD, M3X4	
503	XB1 - 2400 - 609		6	SCREW, MACH., TRUSS HEAD, M4X6	
504	XB1 - 2400 - 609		6	SCREW, MACH., TRUSS HEAD, M4X6	
505	XB1 - 2400 - 806		5	SCREW, MACH., TRUSS HEAD, M4X8	
506	XB1 - 2400 - 809		4	SCREW, MACH., TRUSS HEAD, M4X8	
507	XB6 - 7300 - 409		3	SCREW, TP, M3X4	
508	XD1 - 4200 - 402		1	WASHER, TOOTHED LOCK	
509	XD2 - 1100 - 502		1	RING, E	
510	XD2 - 1100 - 642		5	RING, E	
511	XD2 - 2101 - 002		1	RING, GRIP	
512	XD3 - 1300 - 102		1	PIN, SPRING	

# FIGURE R12 INTERNAL COMPONENTS (B1/C1 TYPE)

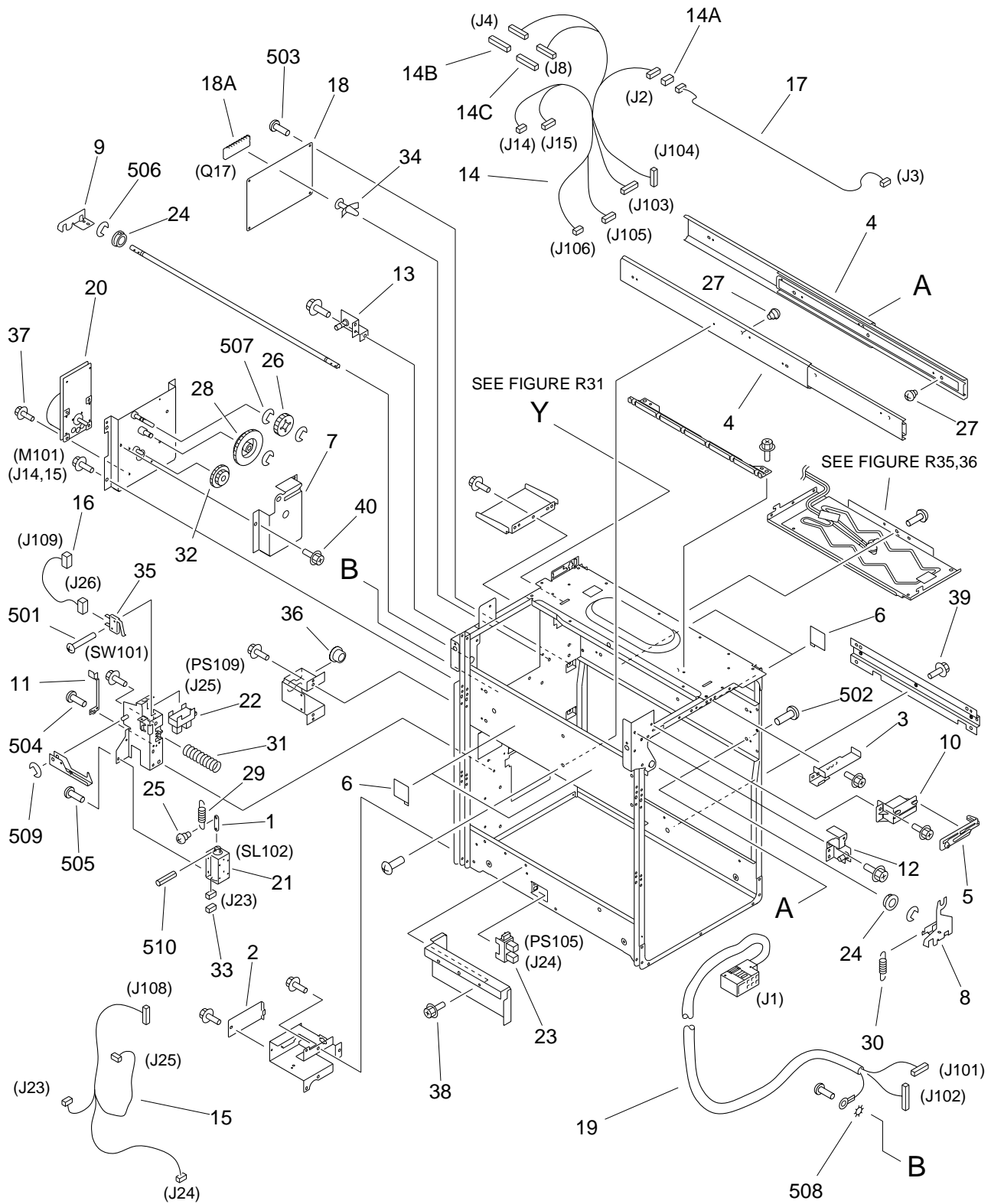
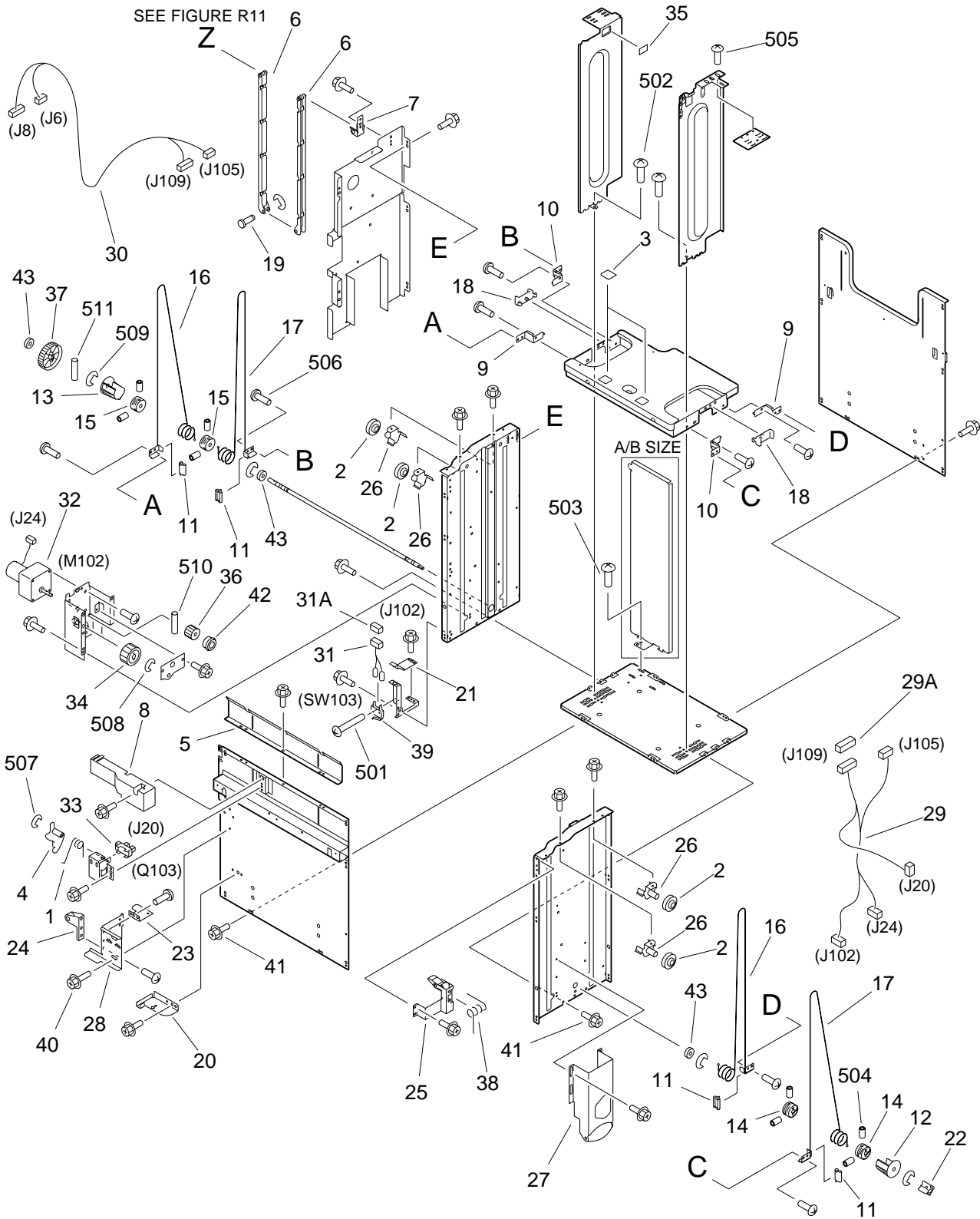




FIGURE & KEY NO.	PART NUMBER	RANK	QTY	DESCRIPTION	SERIAL NUMBER / REMARKS
R12 -	NPN		RF	INTERNAL COMPONENTS	B1/C1 TYPE
1	FA6 - 7751 - 000		1	ARM, LOCK	
2	FB2 - 8293 - 000		1	COVER, CONNECTOR	
3	FB3 - 9260 - 000		1	PLATE, CAM RELEASE	
4	FB3 - 9261 - 000		2	RAIL, SLIDE	
5	FB3 - 9290 - 000		1	LINK, RELEASE LEVER	
6	FB3 - 9749 - 000		4	LABEL, "HANDLE"	
7	FB4 - 4871 - 000		1	COVER, GEAR	
8	FB4 - 4877 - 000		1	HOOK, FRONT	
9	FB4 - 4878 - 000		1	HOOK, REAR	
10	FB4 - 4922 - 000		1	COVER, RELEASE LEVER	
11	FB4 - 4929 - 000		1	SPRING, LEAF	
12	FF5 - 7535 - 000		1	PIN, DECK, FRONT	
13	FF5 - 7536 - 000		1	PIN, DECK, REAR	
14	FG6 - 1643 - 000		1	CABLE, FRAME, 1	J2,4,8,14,15,103-106
14 A	VS1 - 5057 - 004		1	CONNECTOR, SNAP TIGHT	J2
14 B	VS1 - 5057 - 010		1	CONNECTOR, SNAP TIGHT	J4
14 C	VS1 - 5057 - 014		1	CONNECTOR, SNAP TIGHT	J8
15	FG6 - 1644 - 000		1	CABLE, FRAME, 2	J23-25,108
16	FG6 - 1645 - 000		1	CABLE, PAPER STOCK SWITCH	J26,109
17	FG6 - 1646 - 000		1	CABLE, LED SWITCH	J2,3
18	FG6 - 1650 - 000		1	DECK DRIVER PCB ASSEMBLY	B1 TYPE
	FG6 - 1651 - 000		1	DECK DRIVER PCB ASSEMBLY	C1 TYPE
18 A	FH4 - 5724 - 000		1	IC, TC140G06AN-0051,GATE ARRAY	Q17
19	FG6 - 1652 - 000		1	CABLE, INTERFACE	J1,101,102
20	FH6 - 1525 - 000		1	MOTOR, STEPPING, DC	M101 J14,15
21	FH7 - 5828 - 000		1	SOLENOID, DC24V	SL102 J23
22	FH7 - 7462 - 000		1	PHOTO-INTERRUPTER	PS109 J25
23	FH7 - 7462 - 000		1	PHOTO-INTERRUPTER	PS105 J24
24	FS1 - 1189 - 000		2	BUSHING	

FIGURE & KEY NO.	PART NUMBER	R A N K	Q' T Y	DESCRIPTION	SERIAL NUMBER / REMARKS
R12 - 25	FS1 - 9009 - 000		1	SCREW, STEPPED, M3	
26	FS2 - 0544 - 000		1	GEAR, 24T	
27	FS2 - 9343 - 000		4	SCREW, STEPPED, M4	
28	FS6 - 0067 - 000		1	GEAR, 50T/64T	
29	FS6 - 2593 - 000		1	SPRING, TENSION	
30	FS6 - 2674 - 000		1	SPRING, TENSION	
31	FS6 - 2676 - 000		1	SPRING, COMPRESSION	
32	FS7 - 0177 - 000		1	GEAR, 25T/68T	
33	VS1 - 5057 - 002		1	CONNECTOR, SNAP TIGHT	J23
34	VT2 - 0002 - 003		1	SPACER, SUPPORT	
35	WC4 - 5153 - 000		1	MICRO SWITCH	SW101 J26
36	WT2 - 5395 - 000		1	BUSHING	
37	XA9 - 0724 - 000		4	SCREW, RS, M3X8	
38	XA9 - 0732 - 000		20	SCREW, RS, M4X8	
39	XA9 - 0732 - 000		2	SCREW, RS, M4X8	
40	XA9 - 0949 - 000		3	SCREW, RS, M4X10	
501	XB1 - 2231 - 009		1	SCREW, MACH., TRUSS HEAD, M2.3X10	
502	XB1 - 2400 - 609		6	SCREW, MACH., TRUSS HEAD, M4X6	
503	XB1 - 2400 - 806		5	SCREW, MACH., TRUSS HEAD, M4X8	
504	XB1 - 2400 - 809		4	SCREW, MACH., TRUSS HEAD, M4X8	
505	XB6 - 7300 - 409		3	SCREW, TP, M3X4	
506	XD1 - 1100 - 642		2	RING, E	
507	XD1 - 1100 - 642		3	RING, E	
508	XD1 - 4200 - 402		1	WASHER, TOOTHED LOCK	
509	XD2 - 1100 - 502		1	RING, E	
510	XD3 - 1300 - 102		1	PIN, SPRING	

# FIGURE R30 PAPER STOCK ASSEMBLY (A1 TYPE)

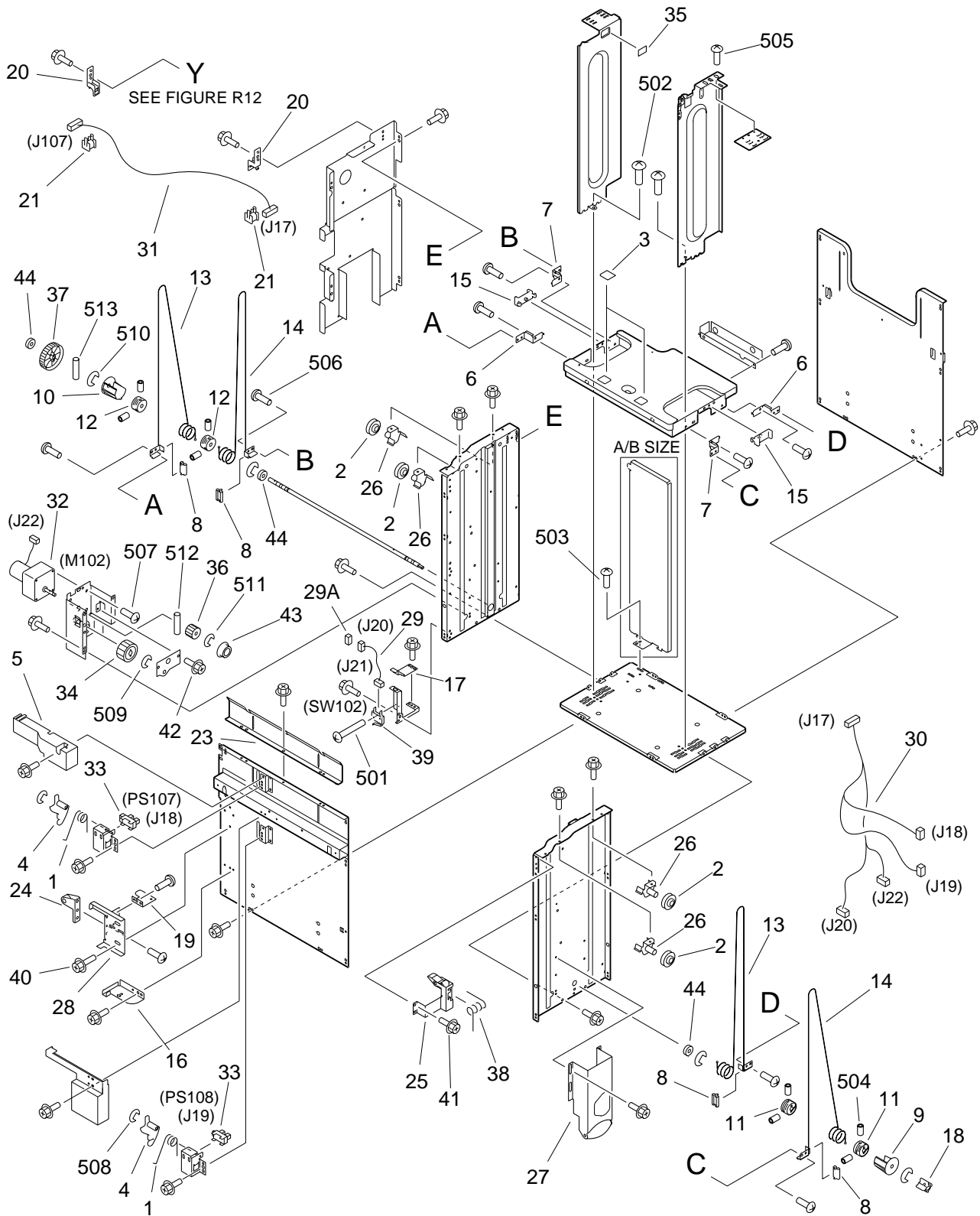


NOTE: This assembly does not include the parts shown with key No. 20, 22 and 27.

FIGURE & KEY NO.	PART NUMBER	R A N K	Q' T Y	DESCRIPTION	SERIAL NUMBER / REMARKS
R30 -	FG5 - 9103 - 070		1	PAPER STOCK ASSEMBLY	A1 TYPE
1	FA6 - 8147 - 000		1	SPRING, TORSION	
2	FA6 - 8257 - 000		4	PULLEY	
3	FB2 - 7740 - 020		2	SHEET, SEPARATION	
4	FB2 - 9248 - 000		1	ARM, PAPER SENSOR	
5	FB3 - 9226 - 000		1	PLATE, SEPARATION	
6	FB3 - 9233 - 000		2	GUIDE, CORD, FRONT	
7	FB3 - 9234 - 000		1	HOLDER, CORD GUIDE	
8	FB3 - 9235 - 000		1	COVER, SENSOR	
9	FB3 - 9237 - 000		2	PLATE, WIRE STOP, RIGHT	
10	FB3 - 9238 - 000		2	PLATE, WIRE STOP, LEFT	
11	FB3 - 9240 - 000		4	BLOCK, WIRE GUIDE	
12	FB3 - 9241 - 000		1	GUIDE, PULLEY, FRONT	
13	FB3 - 9242 - 000		1	GUIDE, PULLEY, REAR	
14	FB3 - 9243 - 000		2	PULLEY, DRIVE, FRONT	
15	FB3 - 9244 - 000		2	PULLEY, DRIVE, REAR	
16	FB3 - 9246 - 000		2	WIRE, DRIVE, RIGHT	
17	FB3 - 9247 - 000		2	WIRE, DRIVE, LEFT	
18	FB3 - 9714 - 000		2	BLOCK, LIFTER PLATE SLIDE	
19	FB3 - 9717 - 000		1	SHAFT, MOVABLE CORD GUIDE	
20	FB3 - 9720 - 000		1	PLATE, PAPER STOCK STOP	SEE NOTE
21	FB3 - 9723 - 000		1	SPRING, LEAF	
22	FB3 - 9735 - 000		1	COUPLING	SEE NOTE
23	FB3 - 9742 - 000		1	FLAG, PAPER STOCK SENSOR	
24	FF5 - 5282 - 030		1	HOLDER, LATCH	
25	FF5 - 6148 - 000		1	LEVER, RELEASE	
26	FF5 - 6160 - 000		4	MOUNT, PULLEY	
27	FF5 - 6161 - 000		1	MOUNT, ROLLER	SEE NOTE
28	FF5 - 6171 - 000		1	PLATE, LOCK	
29	FG5 - 9291 - 000		1	CABLE, PAPER STOCK	J20,24,102,105,109

FIGURE & KEY NO.	PART NUMBER	RANK	QTY	DESCRIPTION	SERIAL NUMBER / REMARKS
R30 - 29A	VS1 - 5057 - 005		1	CONNECTOR, SNAP TIGHT	J109
30	FG5 - 9292 - 000		1	CABLE, PAPER STOCK CONNECTING	J6,8,105,109
31	FG5 - 9361 - 000		1	CABLE, SWITCH	J102
31A	VS1 - 5057 - 003		1	CONNECTOR, SNAP TIGHT	J102
32	FH7 - 1791 - 020		1	MOTOR, DC24V	M102 J24
33	FH7 - 7312 - 000		1	PHOTO-INTERRUPTER	Q103 J20
34	FS2 - 0450 - 000		1	GEAR, 32T	
35	FS5 - 8618 - 000		1	LABEL, "MAXIMUM LOAD"	
36	FS6 - 0722 - 000		1	GEAR, 19T	
37	FS6 - 0909 - 000		1	GEAR, 58T	
38	FS6 - 2673 - 000		1	SPRING, TORSION	
39	WC4 - 0153 - 000		1	MICRO SWITCH	SW103
40	XA9 - 0721 - 000		2	SCREW,RS,M4X10	
41	XA9 - 0732 - 000		46	SCREW,RS,M4X8	
42	XG3 - 6012 - 405		1	BEARING, BALL	
43	XG9 - 0250 - 000		3	BEARING, BALL	
501	XB1 - 2231 - 009		1	SCREW,MACH.,TRUSS HEAD,M2.3X10	
502	XB1 - 2400 - 609		2	SCREW,MACH.,TRUSS HEAD,M4X6	
503	XB1 - 2400 - 809		1	SCREW,MACH.,TRUSS HEAD,M4X8	A/B SIZE
504	XB6 - 2400 - 808		8	SETSCREW,M4X8	
505	XB6 - 7400 - 609		5	SCREW,TP,M4X6	
506	XB6 - 7400 - 809		16	SCREW,TP,M4X8	
507	XD2 - 1100 - 242		1	RING,E	
508	XD2 - 1100 - 502		1	RING,E	
509	XD2 - 1100 - 642		5	RING,E	
510	XD3 - 2200 - 122		1	PIN,DOWEL	
511	XD3 - 2200 - 182		1	PIN,DOWEL	

# FIGURE R31 PAPER STOCK ASSEMBLY (B1/C1 TYPE)



NOTE: This assembly does not include the parts shown with key No. 16, 18 and 27.

FIGURE & KEY NO.	PART NUMBER	R A N K	Q' T Y	DESCRIPTION	SERIAL NUMBER / REMARKS
R31 -	FG6 - 1632 - 000		1	PAPER STOCK ASSEMBLY	B1/C1 TYPE
1	FA6 - 8147 - 000		2	SPRING, TORSION	
2	FA6 - 8257 - 000		4	PULLEY	
3	FB2 - 7740 - 020		2	SHEET, SEPARATION	
4	FB2 - 9248 - 000		2	ARM, PAPER SENSOR	
5	FB3 - 9235 - 000		1	COVER, SENSOR	
6	FB3 - 9237 - 000		2	PLATE, WIRE STOP, RIGHT	
7	FB3 - 9238 - 000		2	PLATE, WIRE STOP, LEFT	
8	FB3 - 9240 - 000		4	BLOCK, WIRE GUIDE	
9	FB3 - 9241 - 000		1	GUIDE, PULLEY, FRONT	
10	FB3 - 9242 - 000		1	GUIDE, PULLEY, REAR	
11	FB3 - 9243 - 000		2	PULLEY, DRIVE, FRONT	
12	FB3 - 9244 - 000		2	PULLEY, DRIVE, REAR	
13	FB3 - 9246 - 000		2	WIRE, DRIVE, RIGHT	
14	FB3 - 9247 - 000		2	WIRE, DRIVE, LEFT	
15	FB3 - 9714 - 000		2	BLOCK, LIFTER PLATE SLIDE	
16	FB3 - 9720 - 000		1	PLATE, PAPER STOCK STOP	SEE NOTE
17	FB3 - 9723 - 000		1	SPRING, LEAF	
18	FB3 - 9735 - 000		1	COUPLING	SEE NOTE
19	FB3 - 9742 - 000		1	FLAG, PAPER STOCK SENSOR	
20	FB4 - 4873 - 000		2	CLAMP, CORD, UPPER	
21	FB4 - 4874 - 000		2	CLAMP, CORD, LOWER	
22	FB4 - 4882 - 000		1	COVER, SENSOR, LOWER	
23	FB4 - 4928 - 000		1	PLATE, SEPARATION	
24	FF5 - 5282 - 030		1	HOLDER, LATCH	
25	FF5 - 6148 - 000		1	LEVER, RELEASE	
26	FF5 - 6160 - 000		4	MOUNT, PULLEY	
27	FF5 - 6161 - 000		1	MOUNT, ROLLER	SEE NOTE
28	FF5 - 6171 - 000		1	PLATE, LOCK	
29	FG6 - 1642 - 000		1	CABLE, SWITCH	J20,21

FIGURE & KEY NO.	PART NUMBER	RANK	QTY	DESCRIPTION	SERIAL NUMBER / REMARKS
R31 - 29A	VS1 - 5057 - 003		1	CONNECTOR, SNAP TIGHT	J20
30	FG6 - 1647 - 000		1	CABLE, PAPER STOCK	J17-20,22
31	FG6 - 1649 - 000		1	CABLE, PAPER STOCK CONNECTING	J17,107
32	FH7 - 1791 - 020		1	MOTOR, DC24V	M102 J22
33	FH7 - 7312 - 000		2	PHOTO-INTERRUPTER	PS107,108 J18,19
34	FS2 - 0450 - 000		1	GEAR, 32T	
35	FS5 - 8618 - 000		1	LABEL, "MAXIMUM LOAD"	
36	FS6 - 0722 - 000		1	GEAR, 19T	
37	FS6 - 0909 - 000		1	GEAR, 58T	
38	FS6 - 2673 - 000		1	SPRING, TORSION	
39	WC4 - 0153 - 000		1	MICRO SWITCH	SW102 J21
40	XA9 - 0721 - 000		2	SCREW,RS,M4X10	
41	XA9 - 0732 - 000		46	SCREW,RS,M4X8	
42	XA9 - 0732 - 000		2	SCREW,RS,M4X8	
43	XG3 - 6012 - 405		1	BEARING, BALL	
44	XG9 - 0250 - 000		3	BEARING, BALL	
501	XB1 - 2231 - 009		1	SCREW,MACH.,TRUSS HEAD,M2.3X10	
502	XB1 - 2400 - 609		2	SCREW,MACH.,TRUSS HEAD,M4X6	
503	XB1 - 2400 - 609		1	SCREW,MACH.,TRUSS HEAD,M4X6	A/B SIZE
504	XB6 - 2400 - 808		8	SETSCREW,M4X8	
505	XB6 - 7400 - 609		5	SCREW,TP,M4X6	
506	XB6 - 7400 - 809		14	SCREW,TP,M4X8	
507	XB6 - 7400 - 809		4	SCREW,TP,M4X8	
508	XD2 - 1100 - 242		2	RING,E	
509	XD2 - 1100 - 502		1	RING,E	
510	XD2 - 1100 - 642		4	RING,E	
511	XD2 - 1100 - 642		1	RING,E	
512	XD3 - 2200 - 122		1	PIN,DOWEL	
513	XD3 - 2200 - 182		1	PIN,DOWEL	



# PAPER DECK HEATER ASSEMBLY (ACCESSORY) HEATER KIT 10/14

## FIGURE R35

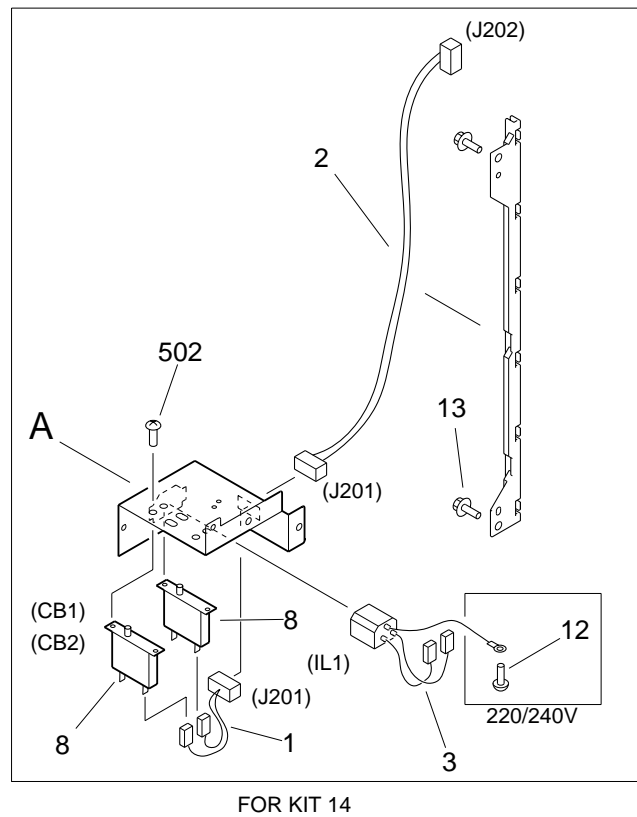
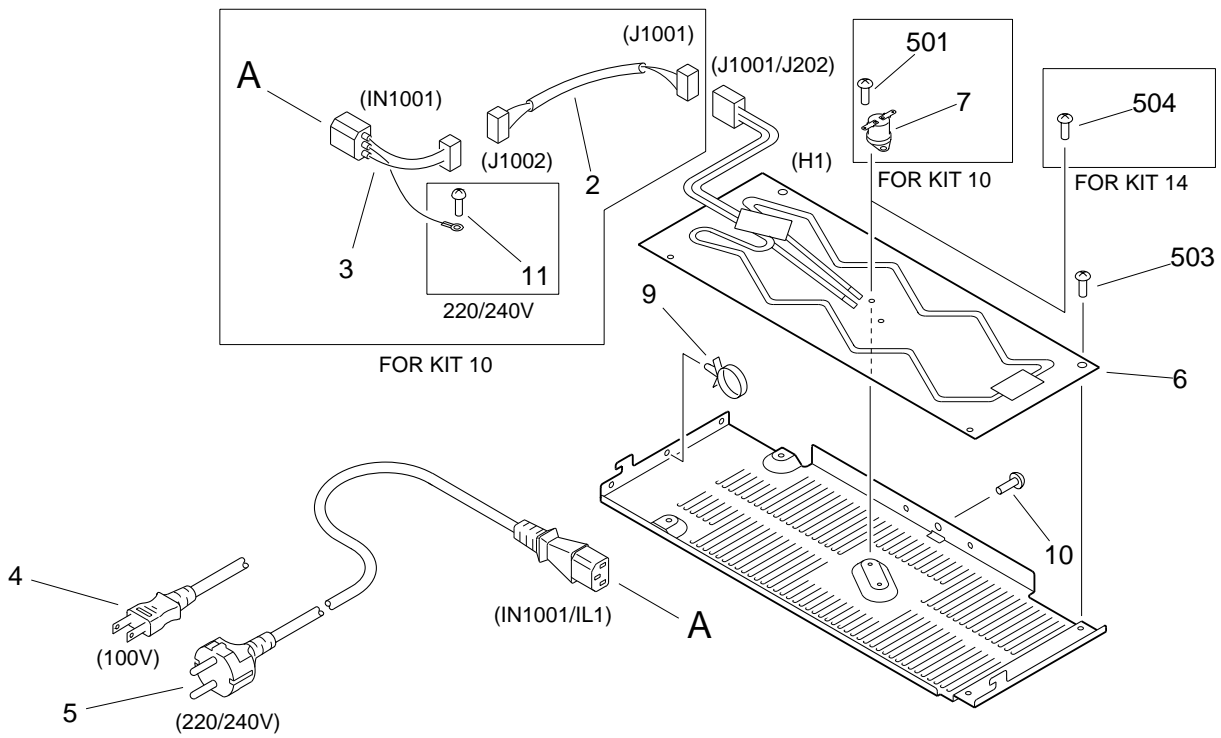


FIGURE & KEY NO.	PART NUMBER	RANK	QTY	DESCRIPTION	SERIAL NUMBER / REMARKS
R35 -	NPN		RF	PAPER DECK HEATER ASSEMBLY	ACCESSORY FOR KIT 10/14
1	FF3 - 3464 - 000		1	CABLE, RELAY	FOR KIT 14 100V J201
	FF3 - 3465 - 000		1	CABLE, RELAY	FOR KIT 14 220/240V J201
2	FG5 - 9359 - 000		1	CABLE, CASSETTE HEATER	FOR KIT 10 J1001,1002
	FG6 - 2956 - 000		1	CABLE, CASSETTE HEATER	FOR KIT 14 J201,202
3	FG5 - 9687 - 000		1	CABLE, SOCKET	FOR KIT 10 100V J1002,IN1001
	FG5 - 9688 - 000		1	CABLE, SOCKET	FOR KIT 10 220/240V J1002,IN1001
	FF3 - 3462 - 000		1	CABLE, SOCKET	FOR KIT 14 100V IL1
	FF3 - 3463 - 000		1	CABLE, SOCKET	FOR KIT 14 220/240V IL1
4	FH2 - 5759 - 000		1	CORD, POWER SUPPLY	FOR KIT 10/14 100V IN1001/IL1
5	FH2 - 5274 - 000		1	CORD, POWER SUPPLY	FOR KIT 10/14 220/240V IN1001/IL1
6	FH7 - 4542 - 000		1	HEATER	FOR KIT 10 100V H1 J1001
	FH7 - 4543 - 000		1	HEATER	FOR KIT 10 220/240V H1 J1001
	FH7 - 4584 - 000		1	HEATER, CASSETTE	FOR KIT 14 100V H1 J202
	FH7 - 4585 - 000		1	HEATER, CASSETTE	FOR KIT 14 220/240V H1 J202
7	FH7 - 7301 - 000		1	THERMOSWITCH	FOR KIT 10
8	VD7 - 0502 - 001		2	BREAKER, CIRCUIT, 125VAC 3A	FOR KIT 14 100V CB1,2
	WD3 - 5057 - 000		2	BRAKER, CIRCUIT, 250VAC 1A	FOR KIT 14 220/240V CB1,2
9	WT2 - 5041 - 000		1	CLAMP, CABLE	
10	XA9 - 0266 - 000		1	SCREW,W/WASHER,M4X8	
11	XA9 - 0266 - 000		1	SCREW,W/WASHER,M4X8	FOR KIT 10 220/240V
12	XA9 - 0266 - 000		1	SCREW,W/WASHER,M4X8	FOR KIT 14 220/240V
13	XA9 - 0628 - 000		2	SCREW,RS,M4X8	FOR KIT 14
501	XB1 - 2300 - 409		2	SCREW,MACH.,TRUSS HEAD,M3X4	FOR KIT 10
502	XB1 - 2300 - 409		4	SCREW,MACH.,TRUSS HEAD,M3X4	FOR KIT 14
503	XB1 - 2400 - 409		4	SCREW,MACH.,TRUSS HEAD,M4X4	
504	XB6 - 7300 - 409		1	SCREW,TP,M3X4	FOR KIT 14

# PAPER DECK HEATER ASSEMBLY (ACCESSORY) HEATER KIT 11/16

## FIGURE R36

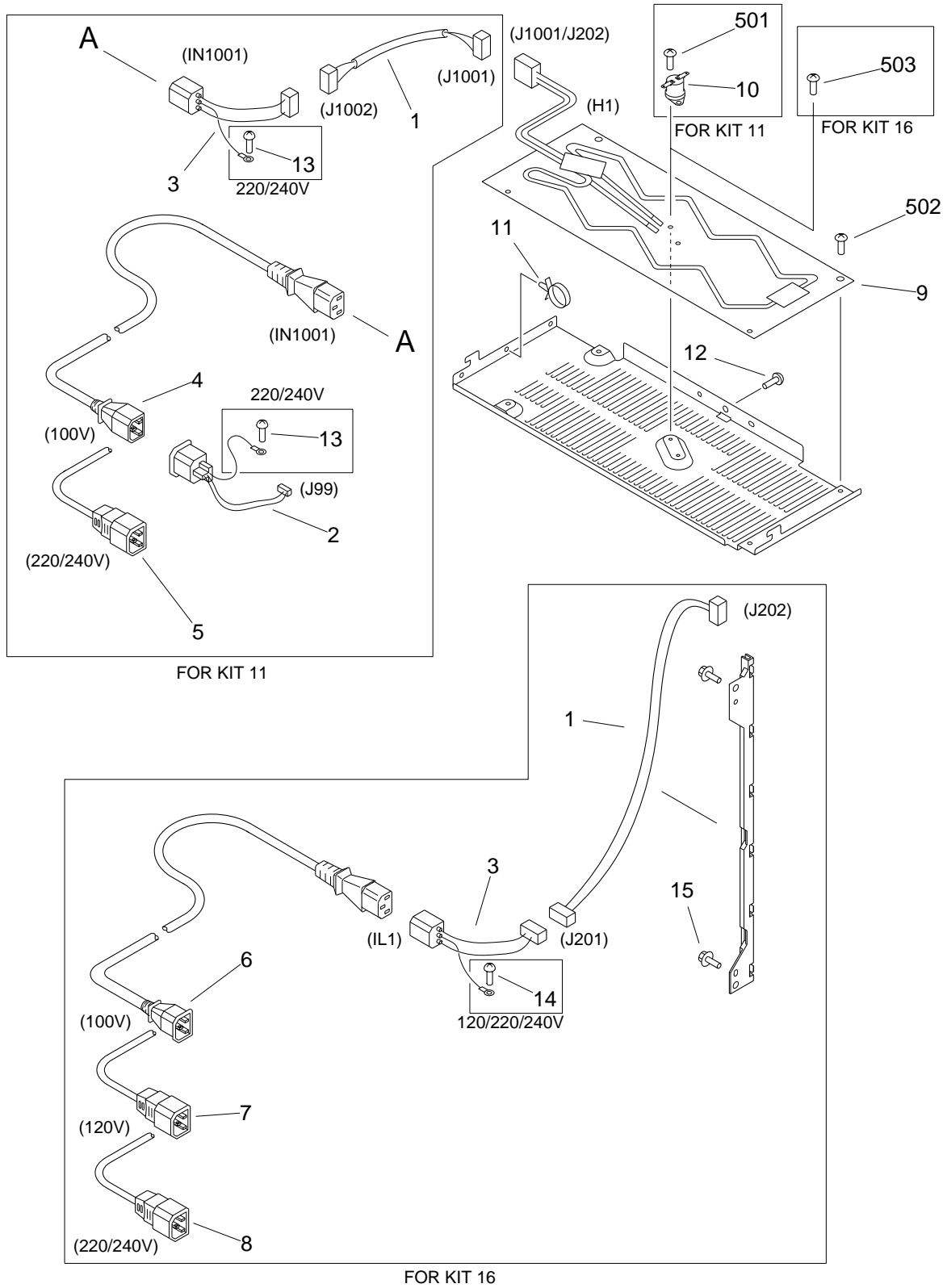
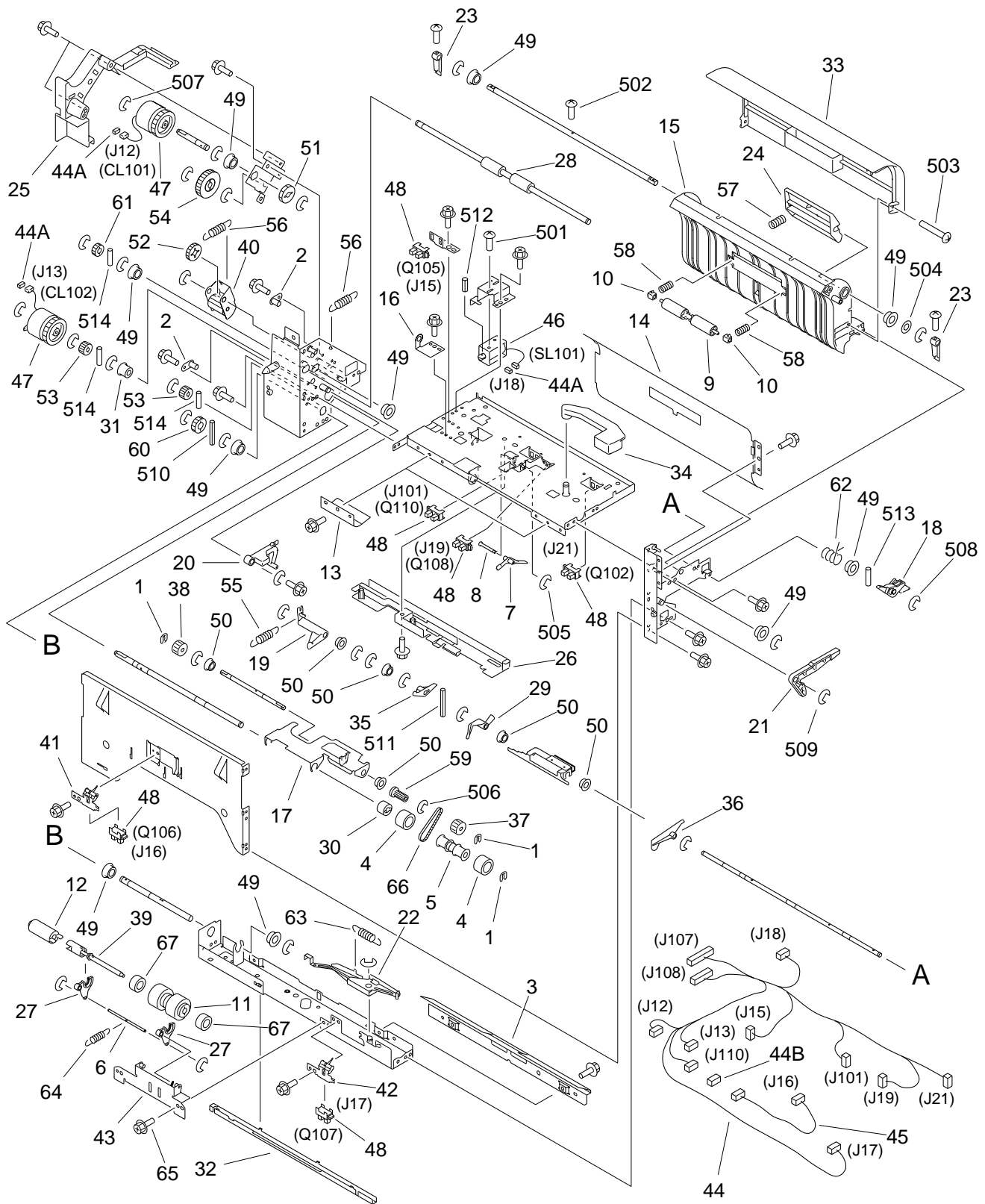


FIGURE & KEY NO.	PART NUMBER	R A N K	Q' T Y	DESCRIPTION	SERIAL NUMBER / REMARKS
R36 -	NPN		RF	PAPER DECK HEATER ASSEMBLY	ACCESSORY FOR KIT 11/16
1	FG5 - 9359 - 000		1	CABLE, CASSETTE HEATER	FOR KIT 11 J1001,1002
	FG6 - 2956 - 000		1	CABLE, CASSETTE HEATER	FOR KIT 16 J201,202
2	FG6 - 1114 - 000		1	CABLE, SOCKET, OUTLET	FOR KIT 11 100V J99
	FG6 - 1115 - 000		1	CABLE, SOCKET, OUTLET	FOR KIT 11 220/240V J99
3	FG6 - 1116 - 000		1	CABLE, SOCKET	100V J1002,201,IN1001,IL1
	FG6 - 1117 - 000		1	CABLE, SOCKET	120/220/240V J1002,201 IN1001,IL1
4	FH2 - 6491 - 000		1	CORD, POWER SUPPLY	FOR KIT 11 100V IN1001
5	FH2 - 6492 - 000		1	CORD, POWER SUPPLY	FOR KIT 11 220/240V IN1001
6	FH2 - 6491 - 000		1	CORD, POWER SUPPLY	FOR KIT 16 GP600 SERIES
	FH2 - 6584 - 000		1	CORD, POWER SUPPLY	100V IL1 FOR KIT16 OTHER MODEL 100V IL1
7	FH2 - 6565 - 000		1	CORD, POWER SUPPLY	FOR KIT 16 GP600 SERIES 120V IL1
	FH2 - 6585 - 000		1	CORD, POWER SUPPLY	FOR KIT 16 OTHER MODEL 120V IL1
8	FH2 - 6492 - 000		1	CORD, POWER SUPPLY	FOR KIT 16 GP600 SERIES 220/240V IL1
	FH2 - 6586 - 000		1	CORD, POWER SUPPLY	FOR KIT 16 OTHER MODEL
9	FH7 - 4542 - 000		1	HEATER	220/240V IL1 FOR KIT 11 100V H1 J1001
	FH7 - 4543 - 000		1	HEATER	FOR KIT 11 220/240V H1 J1001
	FH7 - 4584 - 000		1	HEATER, CASSETTE	FOR KIT 16 100V H1 J202
	FH7 - 4610 - 000		1	HEATER	FOR KIT 16 120V H1 J202
10	FH7 - 4585 - 000		1	HEATER, CASSETTE	FOR KIT 16 220/240V H1 J202
11	FH7 - 7301 - 000		1	THERMOSWITCH	FOR KIT 11
12	WT2 - 5041 - 000		1	CLAMP, CABLE	
13	XA9 - 0266 - 000		1	SCREW,W/WASHER,M4X8	
	XA9 - 0266 - 000		2	SCREW,W/WASHER,M4X8	FOR KIT 11 220/240V

FIGURE & KEY NO.	PART NUMBER	RANK	QTY	DESCRIPTION	SERIAL NUMBER / REMARKS
R36 - 14	XA9 - 0266 - 000		1	SCREW,W/WASHER,M4X8	FOR KIT 16 120/220/240V
15	XA9 - 0628 - 000		2	SCREW,RS,M4X8	FOR KIT 16
501	XB1 - 2300 - 409		2	SCREW,MACH.,TRUSS HEAD,M3X4	FOR KIT 11
502	XB1 - 2400 - 409		4	SCREW,MACH.,TRUSS HEAD,M4X4	
503	XB6 - 7300 - 409		1	SCREW,TP,M3X4	FOR KIT 16

# FIGURE R40 PAPER PICK-UP ASSEMBLY (A1 TYPE)



NOTE: This assembly does not include the part shown with key No.34.

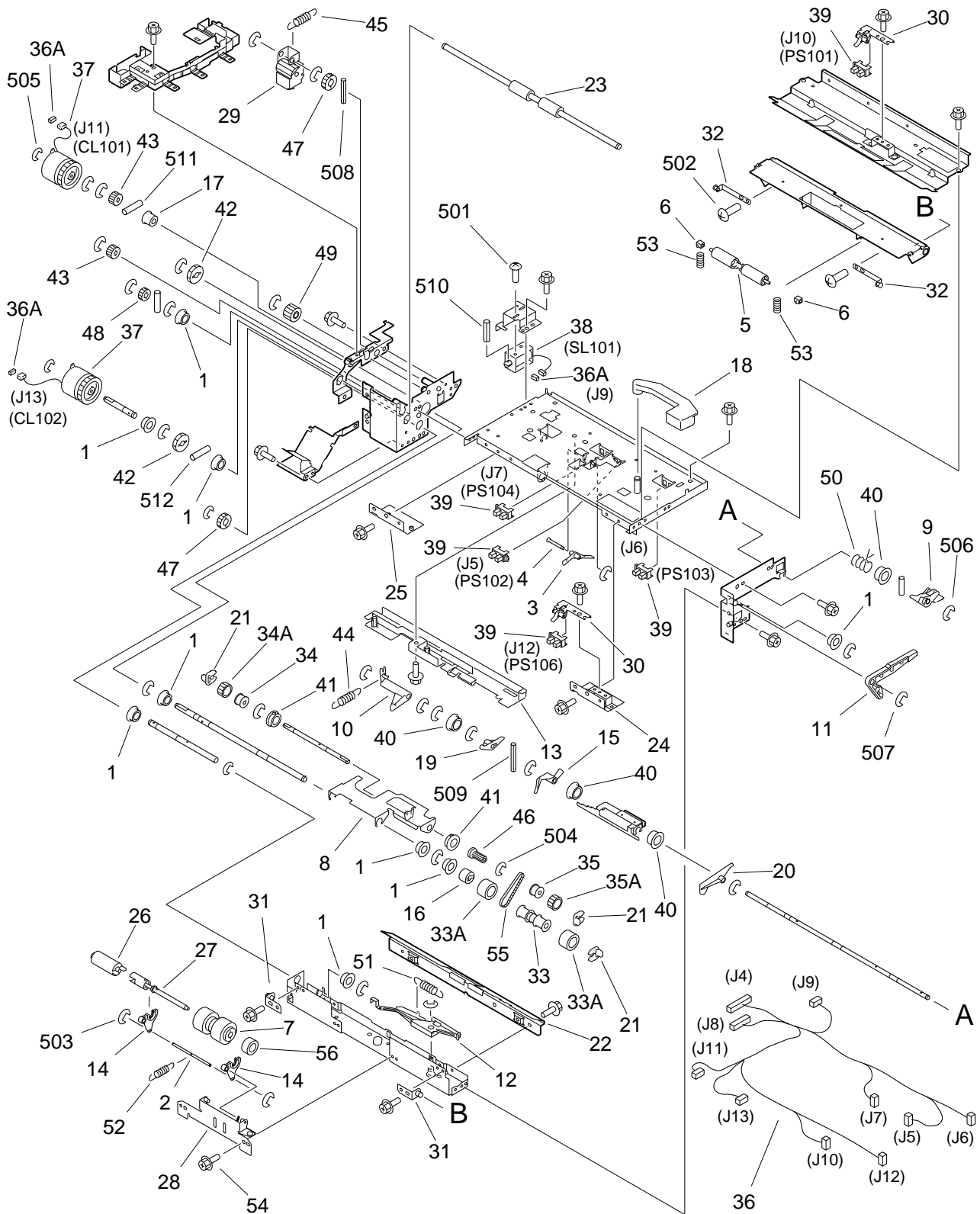
FIGURE & KEY NO.	PART NUMBER	R A N K	Q' T Y	DESCRIPTION	SERIAL NUMBER / REMARKS
R40 -	FG5 - 9102 - 120		1	PAPER PICK-UP ASSEMBLY	A1 TYPE
1	FA3 - 8727 - 000		3	RING, RETAINING	
2	FA3 - 9120 - 000		2	PIN, GUIDE	
3	FB2 - 7636 - 000		1	GUIDE, INLET	
4	FB2 - 7695 - 000		2	ROLLER, PAPER FEED	
5	FB2 - 7696 - 000		1	SHAFT, PAPER FEED ROLLER	
6	FB2 - 7713 - 000		1	SHAFT, COUNTER	
7	FB2 - 7720 - 000		1	LEVER, PAPER	
8	FB2 - 7721 - 000		1	SHAFT, PAPER LEVER	
9	FB2 - 7754 - 000		1	ROLLER	
10	FB2 - 7755 - 000		2	BUSHING	
11	FB2 - 7777 - 020		1	ROLLER, SEPARATION	
12	FB2 - 8422 - 000		1	TORQUE LIMITER	
13	FB3 - 9184 - 000		2	PLATE, PAPER FEED GUIDE	
14	FB3 - 9185 - 000		1	GUIDE, PAPER, LOWER	
15	FB3 - 9186 - 000		1	GUIDE, PAPER, UPPER	
16	FB3 - 9187 - 000		1	SUPPORT, UPPER GUIDE	
17	FB3 - 9188 - 020		1	PLATE, PAPER PICK-UP	
18	FB3 - 9192 - 020		1	CAM, FRONT	
19	FB3 - 9193 - 020		1	ARM, SOLENOID	
20	FB3 - 9194 - 000		1	ARM, PAPER PICK-UP RELEASE	
21	FB3 - 9195 - 020		1	ARM, SEPARATION RELEASE	
22	FB3 - 9196 - 020		1	LEVER, SEPARATION RELEASE	
23	FB3 - 9197 - 000		2	HOOK, UPPER GUIDE	
24	FB3 - 9198 - 000		1	HANDLE, UPPER GUIDE	
25	FB3 - 9202 - 000		1	HOLDER, CLUTCH STOP	
26	FB3 - 9206 - 000		1	COVER, SENSOR	
27	FB3 - 9207 - 030		2	ARM, SEPARATION ROLLER	
28	FB3 - 9211 - 000		1	ROLLER, PAPER FEED	
29	FB3 - 9214 - 000		1	FLAG, PAPER SENSOR	

FIGURE & KEY NO.	PART NUMBER	RANK	QTY	DESCRIPTION	SERIAL NUMBER / REMARKS
R40 - 30	FB3 - 9216 - 000		1	CLUTCH, ONE-WAY, 1	SEE NOTE
31	FB3 - 9217 - 000		1	CLUTCH, ONE-WAY, 2	
32	FB3 - 9218 - 000		1	GUIDE, CORD	
33	FB3 - 9286 - 020		1	COVER, UPPER GUIDE	
34	FB3 - 9289 - 000		1	LEVER, RELEASE	
35	FB3 - 9713 - 000		1	LEVER, PAPER PICK-UP	
36	FB3 - 9752 - 000		1	LEVER, LIMITER	
37	FF5 - 1220 - 000		1	ROLLER, PICK-UP, FRONT	
38	FF5 - 1221 - 000		1	ROLLER, PICK-UP, REAR	
39	FF5 - 6143 - 000		1	SHAFT, SEPARATION	
40	FF5 - 6144 - 000		1	SWING GEAR, 20T	
41	FF5 - 6151 - 000		1	MOUNT, VERT. PATH SENSOR FLAG	
42	FF5 - 6152 - 000		1	MOUNT, PICK-UP SENSOR FLAG	
43	FF5 - 6157 - 020		1	MOUNT, SEPARATION ROLLER	
44	FG5 - 9289 - 000		1	CABLE, PAPER PICK-UP	
44 A	VS1 - 5057 - 002		3	CONNECTOR, SNAP TIGHT	J12,13,18
44 B	VS1 - 5057 - 003		1	CONNECTOR, SNAP TIGHT	J110
45	FG5 - 9290 - 000		1	CABLE, VERTICAL PATH	J16,110
46	FH7 - 5527 - 000		1	SOLENOID	SL101 J18
47	FH7 - 5729 - 000		2	CLUTCH, ELECTROMAGNETIC	CL101,102 J12,13
48	FH7 - 7312 - 000		6	PHOTO-INTERRUPTER	Q102,105-108,110 J21,15-17,19,101
49	FS1 - 1189 - 000		11	BUSHING	
50	FS1 - 1512 - 000		6	BUSHING	
51	FS2 - 0484 - 000		1	GEAR, 25T	
52	FS2 - 0544 - 000		1	GEAR, 24T	
53	FS5 - 0338 - 000		2	GEAR, 16T	
54	FS5 - 0398 - 000		1	GEAR, 40T	
55	FS5 - 2291 - 000		1	SPRING, TENSION	
56	FS5 - 2885 - 000		2	SPRING, TENSION	
57	FS5 - 2922 - 000		1	SPRING, COMPRESSION	



FIGURE & KEY NO.	PART NUMBER	R A N K	Q' T Y	DESCRIPTION	SERIAL NUMBER / REMARKS
R40 - 58	FS5 - 2931 - 000		2	SPRING, COMPRESSION	
59	FS5 - 3333 - 000		1	PULLEY, 16T	
60	FS6 - 0053 - 000		1	GEAR, 20T	
61	FS6 - 0091 - 000		1	GEAR, 16T	
62	FS6 - 2672 - 000		1	SPRING, TORSION	
63	FS6 - 2675 - 000		1	SPRING, TENSION	
64	FS6 - 2678 - 000		1	SPRING, TENSION	
65	XA9 - 0732 - 000		34	SCREW,RS,M4X8	
66	XF9 - 0525 - 000		1	BELT, TIMING, 59T	
67	XG9 - 0243 - 000		1	BEARING, BALL	
501	XB1 - 2300 - 409		2	SCREW,MACH.,TRUSS HEAD,M3X4	
502	XB1 - 2400 - 809		3	SCREW,MACH.,TRUSS HEAD,M4X8	
503	XB4 - 7401 - 006		4	SCREW,TAPPING,TRUSS HEAD,M4X10	
504	XD1 - 1108 - 225		1	SHIM	
505	XD2 - 1100 - 242		1	RING,E	
506	XD2 - 1100 - 372		1	RING,E	
507	XD2 - 1100 - 402		2	RING,E	
508	XD2 - 1100 - 502		10	RING,E	
509	XD2 - 1100 - 642		23	RING,E	
510	XD3 - 1200 - 122		1	PIN,SPRING	
511	XD3 - 1200 - 142		1	PIN,SPRING	
512	XD3 - 1300 - 082		1	PIN,SPRING	
513	XD3 - 2200 - 102		2	PIN,DOWEL	
514	XD3 - 2200 - 122		4	PIN,DOWEL	

# FIGURE R41 PAPER PICK-UP ASSEMBLY (B1/C1 TYPE)



NOTE: This assembly does not include the parts shown with key No. 18.

FIGURE & KEY NO.	PART NUMBER	R A N K	Q' T Y	DESCRIPTION	SERIAL NUMBER / REMARKS
R41 -	FG6 - 1631 - 000		1	PAPER PICK-UP ASSEMBLY	B1/C1 TYPE
1	FA9 - 2112 - 000		9	BUSHING	
2	FB2 - 7713 - 000		1	SHAFT, COUNTER	
3	FB2 - 7720 - 000		1	LEVER, PAPER	
4	FB2 - 7721 - 000		1	SHAFT, PAPER LEVER	
5	FB2 - 7754 - 000		1	ROLLER	
6	FB2 - 7755 - 000		2	BUSHING	
7	FB2 - 7777 - 020		1	ROLLER, SEPARATION	
8	FB3 - 9188 - 020		1	PLATE, PAPER PICK-UP	
9	FB3 - 9192 - 020		1	CAM, FRONT	
10	FB3 - 9193 - 020		1	ARM, SOLENOID	
11	FB3 - 9195 - 020		1	ARM, SEPARATION RELEASE	
12	FB3 - 9196 - 020		1	LEVER, SEPARATION RELEASE	
13	FB3 - 9206 - 000		1	COVER, SENSOR	
14	FB3 - 9207 - 030		2	ARM, SEPARATION ROLLER	
15	FB3 - 9214 - 000		1	FLAG, PAPER SENSOR	
16	FB3 - 9216 - 000		1	CLUTCH, ONE-WAY, 1	
17	FB3 - 9217 - 000		1	CLUTCH, ONE-WAY, 2	
18	FB3 - 9289 - 000		1	LEVER, RELEASE	SEE NOTE
19	FB3 - 9713 - 000		1	LEVER, PAPER PICK-UP	
20	FB3 - 9752 - 000		1	LEVER, LIMITER	
21	FB4 - 2007 - 000		3	RING, RETAINING	
22	FB4 - 2013 - 000		1	GUIDE, PICK-UP INLET	
23	FB4 - 4868 - 000		1	ROLLER, PAPER FEED	
24	FB4 - 4898 - 000		1	PLATE, PAPER FEED GUIDE, FRONT	
25	FB4 - 4899 - 000		1	PLATE, PAPER FEED GUIDE, REAR	
26	FB4 - 4931 - 000		1	TORQUE, LIMITER	
27	FF5 - 6143 - 000		1	SHAFT, SEPARATION	
28	FF5 - 6157 - 020		1	MOUNT, SEPARATION ROLLER	
29	FF5 - 7529 - 000		1	SWING GEAR, 20T	

FIGURE & KEY NO.	PART NUMBER	RANK	QTY	DESCRIPTION	SERIAL NUMBER / REMARKS
R41 - 30	FF5 - 7530 - 000		2	MOUNT, VERT. PATH SENSOR FLAG	
31	FF5 - 7532 - 000		2	SUPPORT, GUIDE, LOWER	
32	FF5 - 7539 - 000		2	SUPPORT, ROLLER	
33	FF5 - 7541 - 000		1	ROLLER, PAPER FEED	
33 A	FB4 - 2034 - 000		2	ROLLER, FEED	
34	FF5 - 7829 - 000		1	ROLLER, PICK-UP	
34 A	FB4 - 2033 - 000		1	ROLLER, PICK-UP	
35	FF5 - 7830 - 000		1	ROLLER, PICK-UP	
35 A	FB4 - 2033 - 000		1	ROLLER, PICK-UP	
36	FG6 - 1641 - 000		1	CABLE, PAPER PICK-UP	J4-13
36 A	VS1 - 5057 - 002		3	CONNECTOR, SNAP TIGHT	J9,11,13
37	FH7 - 5826 - 000		2	CLUTCH, ELECTROMAGNETIC	CL101,102 J11,13
38	FH7 - 5827 - 000		1	SOLENOID	SL101 J9
39	FH7 - 7462 - 000		5	PHOTO-INTERRUPTER	PS101-104,106 J10,5-7,12
40	FS1 - 1512 - 000		4	BUSHING	
41	FS1 - 1569 - 000		2	BUSHING	
42	FS2 - 0484 - 000		2	GEAR, 25T	
43	FS5 - 0338 - 000		2	GEAR, 16T	
44	FS5 - 2291 - 000		1	SPRING, TENSION	
45	FS5 - 2885 - 000		1	SPRING, TENSION	
46	FS5 - 3333 - 000		1	PULLEY, 16T	
47	FS6 - 0053 - 000		2	GEAR, 20T	
48	FS6 - 0091 - 000		1	GEAR, 16T	
49	FS6 - 0140 - 000		1	GEAR, 20T	
50	FS6 - 2672 - 000		1	SPRING, TORSION	
51	FS6 - 2675 - 000		1	SPRING, TENSION	
52	FS6 - 2678 - 000		1	SPRING, TENSION	
53	FS6 - 2895 - 000		2	SPRING, COMPRESSION	
54	XA9 - 0732 - 000		27	SCREW,RS,M4X8	
55	XF9 - 0525 - 000		1	BELT, TIMING, 59T	

FIGURE & KEY NO.	PART NUMBER	R A N K	Q' T Y	DESCRIPTION	SERIAL NUMBER / REMARKS
R41 - 56	XG9 - 0243 - 000		1	BEARING, BALL	
501	XB1 - 2300 - 409		2	SCREW,MACH.,TRUSS HEAD,M3X4	
502	XB1 - 2400 - 609		2	SCREW,MACH.,TRUSS HEAD,M4X6	
503	XD2 - 1100 - 242		3	RING,E	
504	XD2 - 1100 - 372		1	RING,E	
505	XD2 - 1100 - 402		2	RING,E	
506	XD2 - 1100 - 502		10	RING,E	
507	XD2 - 1100 - 642		17	RING,E	
508	XD3 - 1200 - 122		1	PIN,SPRING	
509	XD3 - 1200 - 142		1	PIN,SPRING	
510	XD3 - 1300 - 082		1	PIN,SPRING	
511	XD3 - 2200 - 102		6	PIN,DOWEL	
512	XD3 - 2200 - 142		1	PIN,DOWEL	

# FIGURE RB1 LIST OF CONNECTORS (A1 TYPE)

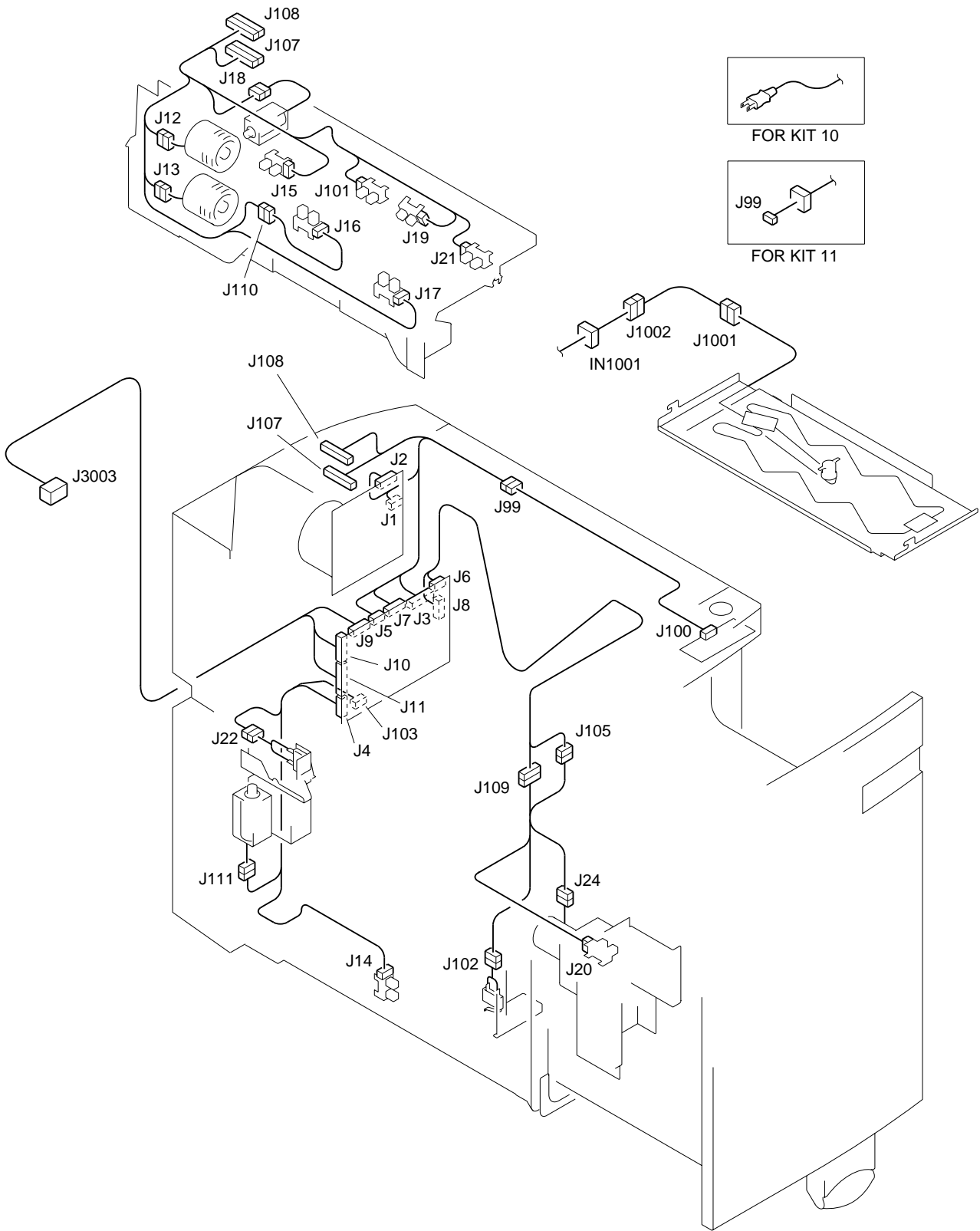


FIGURE & KEY NO.	PART NUMBER	R A N K	Q' T Y	DESCRIPTION	SERIAL NUMBER / REMARKS
RB1 -	NPN		RF	LIST OF CONNECTORS	A1 TYPE
I N 1 0 0 1	NPN			POWER CORD SUPPLY	ACCESSORY
	WS5 - 5025 - 000		1	SOCKET, AC	ACCESSORY
J 1	NPN			DECK MAIN MOTOR	M101
	VS3 - 5083 - 002		1	CONNECTOR, 2P, FEMALE	
	WS3 - 5160 - 000		2	SOCKET CONTACT, 18-24AWG	
J 2	NPN			DECK MAIN MOTOR	M101
	VS1 - 0842 - 009		1	CONNECTOR, 9P, FEMALE	
J 3	PCB			SIDE DECK DRIVER	
	VS1 - 0842 - 014		1	CONNECTOR, 14P, FEMALE	
	VS1 - 0852 - 014		1	CONNECTOR, 14P, FEMALE	
	VS9 - 5007 - 028		1	HOLDER, CONNECTOR, 28P	
J 4	PCB			SIDE DECK DRIVER	
	VS1 - 0842 - 006		1	CONNECTOR, 6P, FEMALE	
J 5	PCB			SIDE DECK DRIVER	
	VS3 - 5083 - 002		1	CONNECTOR, 2P, FEMALE	
	WS3 - 5160 - 000		2	SOCKET CONTACT, 18-24AWG	
J 6	PCB			SIDE DECK DRIVER	
	VS1 - 0279 - 003		1	CONNECTOR, 3P, FEMALE	
	WS3 - 0437 - 000		2	SOCKET CONTACT, 20-30AWG	
J 7	PCB			SIDE DECK DRIVER	
	VS1 - 0842 - 009		1	CONNECTOR, 9P, FEMALE	
J 8	PCB			SIDE DECK DRIVER	
	VS1 - 0842 - 005		1	CONNECTOR, 5P, FEMALE	
J 9	PCB			SIDE DECK DRIVER	
	VS3 - 5083 - 003		1	CONNECTOR, 3P, FEMALE	
	WS3 - 5160 - 000		3	SOCKET CONTACT, 18-24AWG	
J 10	PCB			SIDE DECK DRIVER	
	VS1 - 0842 - 011		1	CONNECTOR, 11P, FEMALE	
J 11	PCB			SIDE DECK DRIVER	

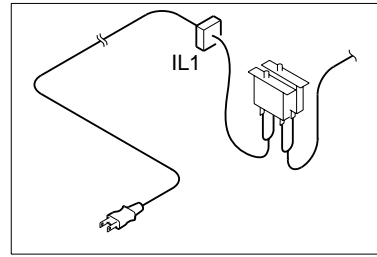
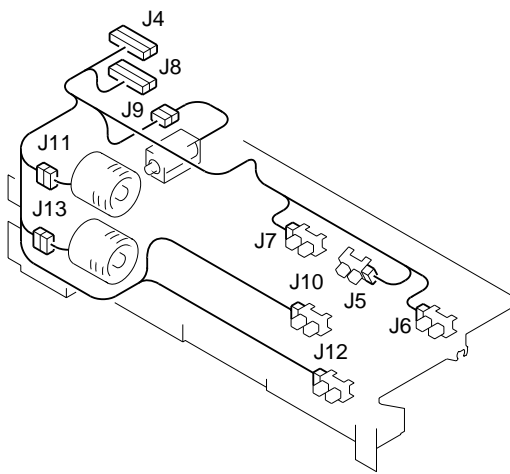
FIGURE & KEY NO.	PART NUMBER	RANK	QTY	DESCRIPTION	SERIAL NUMBER / REMARKS
RB1 -J 1 1	VS1 - 0842 - 013		1	CONNECTOR, 13P, FEMALE	
J 1 2	NPN			DECK VERTICAL PATH CLUTCH	CL101
	VS1 - 0842 - 002		1	CONNECTOR, 2P, FEMALE	
	VS1 - 5057 - 002		1	CONNECTOR, SNAP TIGHT	
J 1 3	NPN			DECK PICK-UP CLUTCH	CL102
	VS1 - 0842 - 002		1	CONNECTOR, 2P, FEMALE	
	VS1 - 5057 - 002		1	CONNECTOR, SNAP TIGHT	
J 1 4	NPN			DECK SETTING SENSOR	Q104
	VS1 - 0842 - 003		1	CONNECTOR, 3P, FEMALE	
J 1 5	NPN			DECK PICK-UP GUIDE OPEN SENSOR	Q105
	VS1 - 0842 - 003		1	CONNECTOR, 3P, FEMALE	
J 1 6	NPN			DECK VERTICAL PATH SENSOR	Q106
	VS1 - 0842 - 003		1	CONNECTOR, 3P, FEMALE	
J 1 7	NPN			DECK PICK-UP PAPER SENSOR	Q107
	VS1 - 0842 - 003		1	CONNECTOR, 3P, FEMALE	
J 1 8	NPN			DECK ROLLER RELEASE SOLENOID	SL101
	VS1 - 0842 - 002		1	CONNECTOR, 2P, FEMALE	
	VS1 - 5057 - 002		1	CONNECTOR, SNAP TIGHT	
J 1 9	NPN			DECK PAPER NOTHING SENSOR	Q108
	VS1 - 0842 - 003		1	CONNECTOR, 3P, FEMALE	
J 2 0	NPN			DECK PAPER POSITION SENSOR	Q103
	VS1 - 0842 - 003		1	CONNECTOR, 3P, FEMALE	
J 2 1	NPN			DECK LIFTER UPPER LIMIT SENSOR	Q102
	VS1 - 0842 - 003		1	CONNECTOR, 3P, FEMALE	
J 2 2	VS1 - 0842 - 003		1	CONNECTOR, 3P, FEMALE	
	VS1 - 5824 - 003		1	CONNECTOR, 3P, FEMALE	
	WS3 - 5358 - 000		2	SOCKET CONTACT, 22-26AWG	
	VS1 - 5057 - 003		1	CONNECTOR, SNAP TIGHT	
J 2 4	NPN			DECK LIFTER MOTOR	M102
	VS1 - 0279 - 002		1	CONNECTOR, 2P, FEMALE	



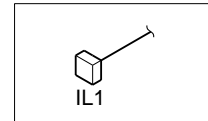
FIGURE & KEY NO.	PART NUMBER	R A N K	Q' T Y	DESCRIPTION	SERIAL NUMBER / REMARKS
RB1 -J 2 4	WS3 - 0437 - 000		2	SOCKET CONTACT, 20-30AWG	
J 9 9	VS1 - 0842 - 004		2	CONNECTOR, 4P, FEMALE	
	VS1 - 5057 - 004		1	CONNECTOR, SNAP TIGHT	
	SYS			TO COPIER	FOR KIT 11
	VS4 - 0001 - 003		1	CONNECTOR, 3P, MALE	FOR KIT 11
	WS4 - 0219 - 000		2	PIN CONTACT, 18-22AWG	FOR KIT 11
J 1 0 0	PCB			OPEN SWITCH	
	VS1 - 0842 - 004		1	CONNECTOR, 4P, FEMALE	
J 1 0 1	NPN			DECK LIFTER POSITION SENSOR	Q110
	VS1 - 0842 - 003		1	CONNECTOR, 3P, FEMALE	
J 1 0 2	VS1 - 0842 - 003		1	CONNECTOR, 3P, FEMALE	
	VS1 - 5824 - 003		1	CONNECTOR, 3P, FEMALE	
	WS3 - 5358 - 000		2	SOCKET CONTACT, 22-26AWG	
	VS1 - 5057 - 003		1	CONNECTOR, SNAP TIGHT	
J 1 0 3	PCB			SIDE DECK DRIVER	
J 1 0 5	VS1 - 0279 - 003		1	CONNECTOR, 3P, FEMALE	
	WS3 - 0469 - 000		2	SOCKET CONTACT, 26-30AWG	
	VS1 - 0279 - 002		1	CONNECTOR, 2P, FEMALE	
	VS1 - 0280 - 002		1	CONNECTOR, 2P, MALE	
	WS3 - 0437 - 000		2	SOCKET CONTACT, 20-30AWG	
J 1 0 7	WS3 - 0885 - 000		2	PIN CONTACT, 20-30AWG	
	VS1 - 0842 - 014		2	CONNECTOR, 14P, FEMALE	
	VS1 - 5057 - 014		1	CONNECTOR, SNAP TIGHT	
J 1 0 8	VS1 - 0842 - 010		2	CONNECTOR, 10P, FEMALE	
	VS1 - 5057 - 010		1	CONNECTOR, SNAP TIGHT	
J 1 0 9	VS1 - 0842 - 005		2	CONNECTOR, 5P, FEMALE	
	VS1 - 5057 - 005		1	CONNECTOR, SNAP TIGHT	
J 1 1 0	VS1 - 0842 - 003		2	CONNECTOR, 3P, FEMALE	
	VS1 - 5057 - 003		1	CONNECTOR, SNAP TIGHT	
J 1 1 1	NPN			DECK OPEN SOLENOID	SL102

FIGURE & KEY NO.	PART NUMBER	RANK	QTY	DESCRIPTION	SERIAL NUMBER / REMARKS
RB1-J 111	VS1 - 0279 - 002		1	CONNECTOR, 2P, FEMALE	
	WS3 - 0469 - 000		2	SOCKET CONTACT, 26-30AWG	
J 1001	NPN			DECK HEATER	ACCESSORY
	VS4 - 0001 - 003		1	CONNECTOR, 3P, MALE	ACCESSORY
	WS4 - 0219 - 000		2	PIN CONTACT, 18-22AWG	ACCESSORY
J 1002	VS4 - 0001 - 003		1	CONNECTOR, 3P, MALE	ACCESSORY
	VS4 - 0002 - 003		1	CONNECTOR, 3P, FEMALE	ACCESSORY
	WS4 - 0217 - 000		2	SOCKET CONTACT, 22-18AWG	ACCESSORY
	WS4 - 0219 - 000		2	PIN CONTACT, 18-22AWG	ACCESSORY
J 3003	SYS		TO COPIER		
	FH2 - 5828 - 000		1	CONNECTOR, 28P, FEMALE	
	FH2 - 5822 - 000		24	SOCKET CONTACT, 22-26AWG	
	FH2 - 5826 - 000		4	SOCKET CONTACT, 16-20AWG	

# FIGURE RB2 LIST OF CONNECTORS (B1/C1 TYPE)



FOR KIT 14



FOR KIT 16

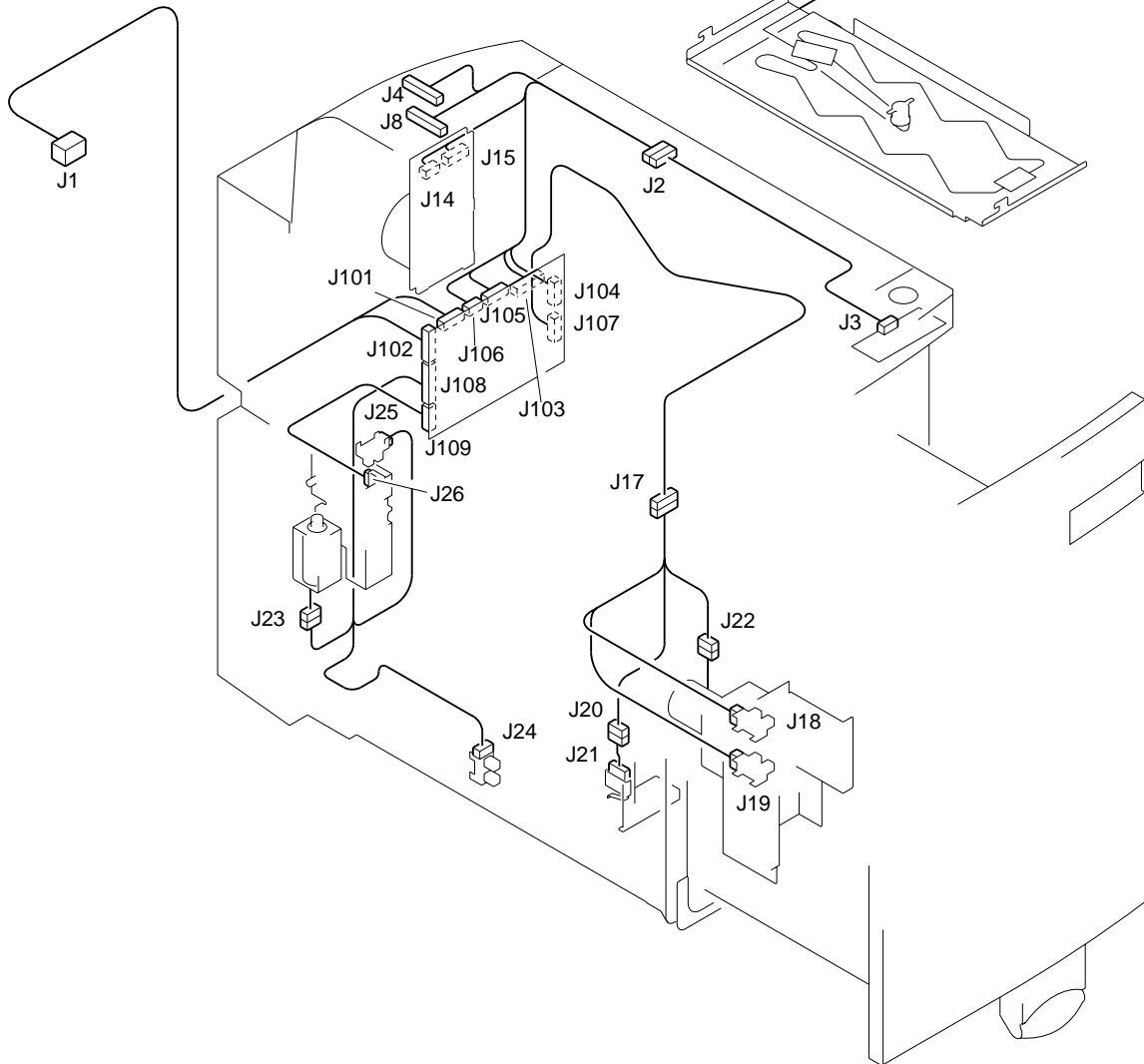
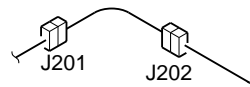


FIGURE & KEY NO.	PART NUMBER	R A N K	Q' T Y	DESCRIPTION	SERIAL NUMBER / REMARKS
RB2 -	NPN		RF	LIST OF CONNECTORS	B1/C1 TYPE
I L 1	NPN			POWER CORD SUPPLY	ACCESSORY
	WS5 - 5025 - 000		1	SOCKET, AC	ACCESSORY
J 1	SYS			TO COPIER	
	FH2 - 6481 - 000		1	CONNECTOR, 4P, FEMALE	
	VS1 - 5452 - 008		1	CONNECTOR, 8P, FEMALE	
	WS3 - 5018 - 000		4	SOCKET CONTACT, 18-24AWG	
J 2	VS1 - 6321 - 004		2	CONNECTOR, 4P, FEMALE	
	VS1 - 5057 - 004		1	CONNECTOR, SNAP TIGHT	
J 3	PCB			OPEN SWITCH	
	VS1 - 6321 - 004		1	CONNECTOR, 4P, FEMALE	
J 4	VS1 - 6321 - 010		2	CONNECTOR, 10P, FEMALE	
	VS1 - 5057 - 010		1	CONNECTOR, SNAP TIGHT	
J 5	NPN			DECK PAPER NOTHING SENSOR	PS102
	VS1 - 6321 - 003		1	CONNECTOR, 3P, FEMALE	
J 6	NPN			DECK LIFTER UPPER LIMIT SENSOR	PS103
	VS1 - 6321 - 003		1	CONNECTOR, 3P, FEMALE	
J 7	NPN			DECK LIFTER POSITION SENSOR	PS104
	VS1 - 6321 - 003		1	CONNECTOR, 3P, FEMALE	
J 8	VS1 - 6321 - 014		2	CONNECTOR, 14P, FEMALE	
	VS1 - 5057 - 014		1	CONNECTOR, SNAP TIGHT	
J 9	NPN			DECK ROLLER RELEASE SOLENOID	SL101
	VS1 - 6321 - 002		1	CONNECTOR, 2P, FEMALE	
	VS1 - 5057 - 002		1	CONNECTOR, SNAP TIGHT	
J 10	NPN			DECK PICK-UP SENSOR	PS101
	VS1 - 6321 - 003		1	CONNECTOR, 3P, FEMALE	
J 11	NPN			DECK FEED CLUTCH	CL101
	VS1 - 6321 - 002		1	CONNECTOR, 2P, FEMALE	
	VS1 - 5057 - 002		1	CONNECTOR, SNAP TIGHT	
J 12	NPN			DECK FEED SENSOR	PS106

FIGURE & KEY NO.	PART NUMBER	RANK	QTY	DESCRIPTION	SERIAL NUMBER / REMARKS
RB2 -J 1 2	VS1 - 6321 - 003		1	CONNECTOR, 3P, FEMALE	
J 1 3	NPN			DECK PICK-UP CLUTCH	CL102
	VS1 - 6321 - 002		1	CONNECTOR, 2P, FEMALE	
	VS1 - 5057 - 002		1	CONNECTOR, SNAP TIGHT	
J 1 4	NPN			DECK MAIN MOTOR	M101
	VS1 - 6321 - 006		1	CONNECTOR, 6P, FEMALE	
J 1 5	NPN			DECK MAIN MOTOR	M101
	VS3 - 5083 - 002		1	CONNECTOR, 2P, FEMALE	
	WS3 - 5160 - 000		2	SOCKET CONTACT, 18-24AWG	
J 1 7	VS1 - 6372 - 010		1	CONNECTOR, 10P, MALE	
	VS1 - 6373 - 010		1	CONNECTOR, 10P, FEMALE	
	WS3 - 5569 - 000		10	SOCKET CONTACT, 22-28AWG	
	WS3 - 5598 - 000		10	PIN CONTACT	
J 1 8	NPN			DECK PAPER POSITION SENSOR	PS107
	VS1 - 6321 - 003		1	CONNECTOR, 3P, FEMALE	
J 1 9	NPN			DECK PAPER SENSOR	PS108
	VS1 - 6321 - 003		1	CONNECTOR, 3P, FEMALE	
J 2 0	VS1 - 6321 - 003		2	CONNECTOR, 3P, FEMALE	
	VS1 - 5057 - 003		1	CONNECTOR, SNAP TIGHT	
J 2 1	NPN		1	PAPER STOCK LOWER LIMIT SWITCH	SW102
	RH2 - 5283 - 000		1	CONNECTOR, 3P, FEMALE	
	WS3 - 5419 - 000		2	SOCKET CONTACT, 22-26AWG	
J 2 2	NPN			DECK LIFTER MOTOR	M102
	VS1 - 0279 - 002		1	CONNECTOR, 2P, FEMALE	
	WS3 - 0437 - 000		2	SOCKET CONTACT, 20-30AWG	
J 2 3	NPN			DECK OPEN SOLENOID	SL102
	VS1 - 6321 - 002		1	CONNECTOR, 2P, FEMALE	
	VS1 - 5057 - 002		1	CONNECTOR, SNAP TIGHT	
J 2 4	NPN			DECK SETTING SENSOR	PS105
	VS1 - 6321 - 003		1	CONNECTOR, 3P, FEMALE	

FIGURE & KEY NO.	PART NUMBER	RANK	QTY	DESCRIPTION	SERIAL NUMBER / REMARKS
RB2-J 25	NPN			DECK OPEN SENSOR	PS109
	VS1 - 6321 - 003		1	CONNECTOR, 3P, FEMALE	
J 26	NPN		1	PAPER STOCK SWITCH	SW101
	RH2 - 5283 - 000		1	CONNECTOR, 3P, FEMALE	
	WS3 - 5419 - 000		2	SOCKET CONTACT, 22-26AWG	
J 101	PCB			SIDE DECK DRIVER	
	VS3 - 5083 - 003		1	CONNECTOR, 3P, FEMALE	
	WS3 - 5160 - 000		3	SOCKET CONTACT, 18-24AWG	
J 102	PCB			SIDE DECK DRIVER	
	VS1 - 0842 - 007		1	CONNECTOR, 7P, FEMALE	
J 103	PCB			SIDE DECK DRIVER	
	VS1 - 6321 - 013		1	CONNECTOR, 13P, FEMALE	
J 104	PCB			SIDE DECK DRIVER	
	VS1 - 6321 - 012		1	CONNECTOR, 12P, FEMALE	
J 105	PCB			SIDE DECK DRIVER	
J 106	VS1 - 6321 - 006		1	CONNECTOR, 6P, FEMALE	
	PCB			SIDE DECK DRIVER	
	VS3 - 5083 - 002		1	CONNECTOR, 2P, FEMALE	
	WS3 - 5160 - 000		2	SOCKET CONTACT, 18-24AWG	
J 107	PCB			SIDE DECK DRIVER	
J 108	VS1 - 6302 - 010		1	CONNECTOR, 10P, FEMALE	
	WS3 - 5569 - 000		10	SOCKET CONTACT, 22-28AWG	
	PCB			SIDE DECK DRIVER	
	VS1 - 6321 - 008		1	CONNECTOR, 8P, FEMALE	
J 109	PCB			SIDE DECK DRIVER	
J 201	VS1 - 6302 - 003		1	CONNECTOR, 3P, FEMALE	
	WS3 - 5569 - 000		2	SOCKET CONTACT, 22-28AWG	
	VS4 - 0001 - 003		1	CONNECTOR, 3P, MALE	ACCESSORY
	VS4 - 0002 - 003		1	CONNECTOR, 3P, FEMALE	ACCESSORY
	WS4 - 0217 - 000		2	SOCKET CONTACT, 22-18AWG	ACCESSORY

FIGURE & KEY NO.	PART NUMBER	R A N K	Q' T Y	DESCRIPTION	SERIAL NUMBER / REMARKS
RB2 - J 2 0 1	WS4 - 0219 - 000		2	PIN CONTACT, 18-22AWG	ACCESSORY
J 2 0 2	NPN			DECK HEATER	ACCESSORY
	VS4 - 0001 - 003		1	CONNECTOR, 3P, MALE	ACCESSORY
	WS4 - 0219 - 000		2	PIN CONTACT, 18-22AWG	ACCESSORY

# D NUMERICAL INDEX

PART NUMBER	FIGURE & KEY NO.	PART NUMBER	FIGURE & KEY NO.	PART NUMBER	FIGURE & KEY NO.
FA3 - 8727 - 000	R40 - 1	FB3 - 9217 - 000	R40 - 3 1	FB4 - 2033 - 000	R41 - 3 5 A
FA3 - 9120 - 000	R40 - 2		R41 - 1 7	FB4 - 2034 - 000	R41 - 3 3 A
FA4 - 1159 - 000	R04 - 1	FB3 - 9218 - 000	R40 - 3 2	FB4 - 3170 - 000	R04 - 1 6
FA6 - 7751 - 000	R11 - 1	FB3 - 9226 - 000	R30 - 5	FB4 - 4867 - 000	R03 - 1
	R12 - 1	FB3 - 9233 - 000	R30 - 6		R05 - 1
FA6 - 8147 - 000	R30 - 1	FB3 - 9234 - 000	R11 - 3	FB4 - 4868 - 000	R41 - 2 3
	R31 - 1		R30 - 7	FB4 - 4871 - 000	R12 - 7
FA6 - 8257 - 000	R30 - 2	FB3 - 9235 - 000	R30 - 8	FB4 - 4873 - 000	R31 - 2 0
	R31 - 2		R31 - 5	FB4 - 4874 - 000	R31 - 2 1
FA9 - 2112 - 000	R41 - 1	FB3 - 9237 - 000	R30 - 9	FB4 - 4877 - 000	R12 - 8
FB1 - 8439 - 000	R04 - 2		R31 - 6	FB4 - 4878 - 000	R12 - 9
FB1 - 8581 - 000	R04 - 3	FB3 - 9238 - 000	R30 - 1 0	FB4 - 4882 - 000	R31 - 2 2
FB1 - 8584 - 000	R04 - 2 1 A		R31 - 7	FB4 - 4898 - 000	R41 - 2 4
FB2 - 7636 - 000	R40 - 3	FB3 - 9240 - 000	R30 - 1 1	FB4 - 4899 - 000	R41 - 2 5
FB2 - 7695 - 000	R40 - 4		R31 - 8	FB4 - 4918 - 000	R03 - 2
FB2 - 7696 - 000	R40 - 5	FB3 - 9241 - 000	R30 - 1 2		R05 - 2
FB2 - 7713 - 000	R40 - 6		R31 - 9	FB4 - 4919 - 000	R03 - 3
	R41 - 2	FB3 - 9242 - 000	R30 - 1 3		R05 - 3
FB2 - 7720 - 000	R40 - 7		R31 - 1 0	FB4 - 4920 - 000	R03 - 4
	R41 - 3	FB3 - 9243 - 000	R30 - 1 4		R05 - 4
FB2 - 7721 - 000	R40 - 8		R31 - 1 1	FB4 - 4922 - 000	R12 - 1 0
	R41 - 4	FB3 - 9244 - 000	R30 - 1 5	FB4 - 4925 - 000	R10 - 6
FB2 - 7740 - 020	R30 - 3		R31 - 1 2	FB4 - 4926 - 000	R10 - 3
	R31 - 3	FB3 - 9246 - 000	R30 - 1 6	FB4 - 4928 - 000	R31 - 2 3
FB2 - 7750 - 000	R02 - 1		R31 - 1 3	FB4 - 4929 - 000	R12 - 1 1
	R02 - 2	FB3 - 9247 - 000	R30 - 1 7	FB4 - 4931 - 000	R41 - 2 6
FB2 - 7751 - 000	R02 - 3		R31 - 1 4	FB4 - 4932 - 000	R03 - 5
FB2 - 7754 - 000	R02 - 4	FB3 - 9254 - 000	R11 - 4		R05 - 5
	R02 - 5	FB3 - 9255 - 000	R11 - 5	FB4 - 4933 - 000	R03 - 6
	R40 - 9	FB3 - 9260 - 000	R11 - 6		R05 - 6
	R41 - 5		R12 - 3	FB4 - 6572 - 000	R04 - 1 7
FB2 - 7755 - 000	R02 - 6	FB3 - 9261 - 000	R11 - 7	FB4 - 6573 - 000	R04 - 1 8
	R02 - 7		R12 - 4	FB4 - 6574 - 000	R04 - 1 9
	R40 - 1 0	FB3 - 9267 - 000	R01 - 1	FB4 - 6576 - 000	R03 - 7
FB2 - 7768 - 000	R41 - 6	FB3 - 9268 - 000	R01 - 2	FB4 - 6577 - 000	R03 - 8
FB2 - 7777 - 020	R02 - 1 6 A	FB3 - 9270 - 000	R10 - 2	FB4 - 6578 - 000	R03 - 9
	R40 - 1 1	FB3 - 9281 - 000	R10 - 3	FB4 - 6579 - 000	R10 - 1 5
FB2 - 8021 - 000	R41 - 7	FB3 - 9283 - 020	R10 - 4	FB4 - 6580 - 000	R10 - 1 6
FB2 - 8293 - 000	R10 - 1	FB3 - 9284 - 000	R10 - 5	FC1 - 9022 - 030	R04 - 2 0
	R11 - 2	FB3 - 9285 - 000	R10 - 6	FF3 - 3462 - 000	R35 - 3
FB2 - 8422 - 000	R12 - 2	FB3 - 9286 - 020	R40 - 3 3	FF3 - 3463 - 000	R35 - 3
FB2 - 8507 - 000	R40 - 1 2	FB3 - 9287 - 000	R10 - 7	FF3 - 3464 - 000	R35 - 1
	R02 - 8	FB3 - 9288 - 000	R10 - 8	FF3 - 3465 - 000	R35 - 1
	R02 - 9	FB3 - 9289 - 000	R40 - 3 4	FF5 - 1220 - 000	R40 - 3 7
FB2 - 9248 - 000	R30 - 4		R41 - 1 8	FF5 - 1221 - 000	R40 - 3 8
	R31 - 4	FB3 - 9290 - 000	R11 - 8	FF5 - 4488 - 000	R04 - 2 1
FB3 - 2811 - 000	R04 - 4		R12 - 5	FF5 - 5282 - 030	R30 - 2 4
FB3 - 2812 - 000	R04 - 5	FB3 - 9291 - 000	R10 - 9		R31 - 2 4
FB3 - 2814 - 000	R04 - 6	FB3 - 9292 - 000	R10 - 1 0	FF5 - 6143 - 000	R40 - 3 9
FB3 - 2815 - 000	R04 - 7	FB3 - 9293 - 000	R10 - 1 1		R41 - 2 7
FB3 - 2817 - 040	R04 - 8	FB3 - 9711 - 000	R10 - 1 2	FF5 - 6144 - 000	R40 - 4 0
FB3 - 2818 - 020	R04 - 9	FB3 - 9713 - 000	R40 - 3 5	FF5 - 6148 - 000	R30 - 2 5
FB3 - 2819 - 000	R04 - 1 0		R41 - 1 9		R31 - 2 5
FB3 - 2821 - 000	R04 - 1 1	FB3 - 9714 - 000	R30 - 1 8	FF5 - 6149 - 000	R01 - 6
FB3 - 2833 - 000	R04 - 1 2		R31 - 1 5	FF5 - 6151 - 000	R40 - 4 1
FB3 - 2834 - 000	R04 - 1 3	FB3 - 9717 - 000	R30 - 1 9	FF5 - 6152 - 000	R40 - 4 2
FB3 - 2835 - 000	R04 - 1 4	FB3 - 9718 - 000	R01 - 3	FF5 - 6156 - 000	R01 - 7
FB3 - 2837 - 000	R04 - 1 5	FB3 - 9720 - 000	R30 - 2 0		R03 - 1 0
FB3 - 9184 - 000	R40 - 1 3		R31 - 1 6		R05 - 7
FB3 - 9185 - 000	R40 - 1 4	FB3 - 9723 - 000	R30 - 2 1	FF5 - 6157 - 020	R40 - 4 3
FB3 - 9186 - 000	R40 - 1 5		R31 - 1 7		R41 - 2 8
FB3 - 9187 - 000	R40 - 1 6	FB3 - 9727 - 000	R11 - 9	FF5 - 6160 - 000	R30 - 2 6
FB3 - 9188 - 020	R40 - 1 7	FB3 - 9730 - 000	R11 - 1 0		R31 - 2 6
	R41 - 8	FB3 - 9732 - 000	R10 - 1 7 A	FF5 - 6161 - 000	R30 - 2 7
FB3 - 9192 - 020	R40 - 1 8	FB3 - 9735 - 000	R30 - 2 2		R31 - 2 7
	R41 - 9		R31 - 1 8	FF5 - 6162 - 020	R10 - 1 7
FB3 - 9193 - 020	R40 - 1 9	FB3 - 9739 - 000	R11 - 1 1	FF5 - 6163 - 000	R10 - 1 8
	R41 - 1 0	FB3 - 9742 - 000	R30 - 2 3	FF5 - 6164 - 000	R10 - 1 9
FB3 - 9194 - 000	R40 - 2 0		R31 - 1 9	FF5 - 6171 - 000	R30 - 2 8
FB3 - 9195 - 020	R40 - 2 1	FB3 - 9746 - 000	R01 - 4		R31 - 2 8
	R41 - 1 1	FB3 - 9749 - 000	R10 - 1 3	FF5 - 6300 - 000	R02 - 1 5
FB3 - 9196 - 020	R40 - 2 2		R11 - 1 2	FF5 - 6307 - 000	R02 - 1 6
	R41 - 1 2		R12 - 6	FF5 - 7511 - 000	R03 - 1 1
FB3 - 9197 - 000	R40 - 2 3	FB3 - 9751 - 000	R10 - 1 4	FF5 - 7529 - 000	R41 - 2 9
FB3 - 9198 - 000	R40 - 2 4	FB3 - 9752 - 000	R40 - 3 6	FF5 - 7530 - 000	R41 - 3 0
FB3 - 9202 - 000	R40 - 2 5		R41 - 2 0	FF5 - 7532 - 000	R41 - 3 1
FB3 - 9206 - 000	R40 - 2 6	FB3 - 9883 - 000	R02 - 1 0	FF5 - 7535 - 000	R12 - 1 2
	R41 - 1 3	FB3 - 9884 - 000	R02 - 1 1	FF5 - 7536 - 000	R12 - 1 3
FB3 - 9207 - 030	R40 - 2 7		R02 - 1 2	FF5 - 7537 - 000	R05 - 8
	R41 - 1 4	FB3 - 9886 - 000	R02 - 1 3	FF5 - 7538 - 000	R05 - 9
FB3 - 9211 - 000	R40 - 2 8	FB3 - 9888 - 000	R02 - 1 4	FF5 - 7539 - 000	R41 - 3 2
FB3 - 9214 - 000	R40 - 2 9	FB3 - 9889 - 000	R01 - 5	FF5 - 7541 - 000	R41 - 3 3
	R41 - 1 5	FB4 - 2007 - 000	R41 - 2 1	FF5 - 7829 - 000	R41 - 3 4
FB3 - 9216 - 000	R40 - 3 0	FB4 - 2013 - 000	R41 - 2 2	FF5 - 7830 - 000	R41 - 3 5
	R41 - 1 6	FB4 - 2033 - 000	R41 - 3 4 A	FG5 - 9102 - 120	R40 -



# D NUMERICAL INDEX

PART NUMBER	FIGURE & KEY NO.	PART NUMBER	FIGURE & KEY NO.	PART NUMBER	FIGURE & KEY NO.
FG5 - 9103 - 070	R30 -	FS1 - 9009 - 000	R11 - 23	VS1 - 0279 - 003	RB1 - J 6
FG5 - 9108 - 020	R11 - 13		R12 - 25		RB1 - J 103
FG5 - 9288 - 000	R10 - 20	FS2 - 0450 - 000	R30 - 34	VS1 - 0280 - 002	RB1 - J 105
FG5 - 9289 - 000	R40 - 44		R31 - 34	VS1 - 0842 - 002	RB1 - J 12
FG5 - 9290 - 000	R40 - 45	FS2 - 0484 - 000	R40 - 51		RB1 - J 13
FG5 - 9291 - 000	R30 - 29		R41 - 42		RB1 - J 18
FG5 - 9292 - 000	R30 - 30	FS2 - 0544 - 000	R11 - 24	VS1 - 0842 - 003	RB1 - J 14
FG5 - 9293 - 000	R11 - 14		R12 - 26		RB1 - J 15
FG5 - 9294 - 000	R11 - 15		R40 - 52		RB1 - J 16
FG5 - 9295 - 000	R11 - 16	FS2 - 9343 - 000	R01 - 8		RB1 - J 17
FG5 - 9359 - 000	R35 - 2		R03 - 12		RB1 - J 19
	R36 - 1		R05 - 10		RB1 - J 20
FG5 - 9361 - 000	R11 - 17		R11 - 25		RB1 - J 21
	R30 - 31		R12 - 27		RB1 - J 22
FG5 - 9363 - 000	R11 - 18	FS5 - 0338 - 000	R40 - 53		RB1 - J 101
FG5 - 9687 - 000	R35 - 3		R41 - 43		RB1 - J 102
FG5 - 9688 - 000	R35 - 3	FS5 - 0398 - 000	R40 - 54		RB1 - J 110
FG6 - 1114 - 000	R36 - 2	FS5 - 1209 - 000	R04 - 22	VS1 - 0842 - 004	RB1 - J 99
FG6 - 1115 - 000	R36 - 2	FS5 - 1469 - 020	R01 - 9		RB1 - J 100
FG6 - 1116 - 000	R36 - 3	FS5 - 1595 - 000	R04 - 23	VS1 - 0842 - 005	RB1 - J 8
FG6 - 1117 - 000	R36 - 3	FS5 - 1598 - 000	R04 - 24		RB1 - J 109
FG6 - 1631 - 000	R41 -	FS5 - 2291 - 000	R40 - 55	VS1 - 0842 - 006	RB1 - J 4
FG6 - 1632 - 000	R31 -		R41 - 44	VS1 - 0842 - 007	RB2 - J 102
FG6 - 1641 - 000	R41 - 36	FS5 - 2885 - 000	R40 - 56	VS1 - 0842 - 009	RB1 - J 2
FG6 - 1642 - 000	R31 - 29		R41 - 45		RB1 - J 7
FG6 - 1643 - 000	R12 - 14	FS5 - 2921 - 000	R02 - 17	VS1 - 0842 - 010	RB1 - J 108
FG6 - 1644 - 000	R12 - 15		R02 - 18	VS1 - 0842 - 011	RB1 - J 10
FG6 - 1645 - 000	R12 - 16	FS5 - 2922 - 000	R02 - 19	VS1 - 0842 - 013	RB1 - J 11
FG6 - 1646 - 000	R12 - 17		R02 - 20	VS1 - 0842 - 014	RB1 - J 3
FG6 - 1647 - 000	R31 - 30		R40 - 57		RB1 - J 107
FG6 - 1649 - 000	R31 - 31	FS5 - 2931 - 000	R40 - 58	VS1 - 0852 - 014	RB1 - J 3
FG6 - 1650 - 000	R12 - 18	FS5 - 3333 - 000	R40 - 59	VS1 - 5057 - 002	R12 - 33
FG6 - 1651 - 000	R12 - 18		R41 - 46		R40 - 44A
FG6 - 1652 - 000	R12 - 19	FS5 - 8618 - 000	R30 - 35		R41 - 36A
FG6 - 2956 - 000	R35 - 2		R31 - 35		RB1 - J 12
	R36 - 1	FS5 - 8852 - 000	R10 - 21		RB1 - J 13
	R35 - 5	FS6 - 0053 - 000	R40 - 60		RB1 - J 18
FH2 - 5274 - 000	R35 - 4		R41 - 47		RB2 - J 9
FH2 - 5759 - 000	RB1 - J 3003	FS6 - 0067 - 000	R12 - 28		RB2 - J 11
FH2 - 5822 - 000	RB1 - J 3003	FS6 - 0072 - 000	R11 - 26		RB2 - J 13
FH2 - 5826 - 000	RB1 - J 3003	FS6 - 0091 - 000	R40 - 61		RB2 - J 23
FH2 - 5828 - 000	RB2 - J 1		R41 - 48	VS1 - 5057 - 003	R11 - 17A
FH2 - 6481 - 000	R36 - 4	FS6 - 0140 - 000	R41 - 49		R30 - 31A
FH2 - 6491 - 000	R36 - 6	FS6 - 0578 - 000	R04 - 25		R31 - 29A
	R36 - 5	FS6 - 0722 - 000	R30 - 36		R40 - 44B
	R36 - 8		R31 - 36		RB1 - J 22
FH2 - 6492 - 000	R36 - 7	FS6 - 0909 - 000	R30 - 37		RB1 - J 102
	R36 - 7		R31 - 37		RB1 - J 110
FH2 - 6565 - 000	R36 - 7	FS6 - 0910 - 000	R11 - 27		RB2 - J 20
FH2 - 6584 - 000	R36 - 6	FS6 - 0911 - 000	R10 - 22	VS1 - 5057 - 004	R11 - 14A
FH2 - 6585 - 000	R36 - 7	FS6 - 0912 - 000	R10 - 23		R12 - 14A
FH2 - 6586 - 000	R36 - 8	FS6 - 0913 - 000	R10 - 24		RB1 - J 99
FH4 - 5724 - 000	R12 - 18A	FS6 - 2308 - 000	R04 - 26		RB2 - J 2
FH6 - 1408 - 000	R11 - 19	FS6 - 2337 - 000	R04 - 27	VS1 - 5057 - 005	R30 - 29A
FH6 - 1525 - 000	R12 - 20	FS6 - 2593 - 000	R11 - 28		RB1 - J 109
FH7 - 1791 - 020	R30 - 32		R12 - 29	VS1 - 5057 - 010	R11 - 14B
	R31 - 32	FS6 - 2672 - 000	R40 - 62		R12 - 14B
FH7 - 4542 - 000	R35 - 6		R41 - 50		RB1 - J 108
	R36 - 9	FS6 - 2673 - 000	R30 - 38		RB2 - J 4
FH7 - 4543 - 000	R35 - 6		R31 - 38	VS1 - 5057 - 014	R11 - 14C
	R36 - 9	FS6 - 2674 - 000	R11 - 29		R12 - 14C
FH7 - 4584 - 000	R35 - 6		R12 - 30		RB1 - J 107
	R36 - 9	FS6 - 2675 - 000	R40 - 63		RB2 - J 8
FH7 - 4585 - 000	R35 - 6		R41 - 51	VS1 - 5452 - 008	RB2 - J 1
	R36 - 9	FS6 - 2676 - 000	R11 - 30	VS1 - 5824 - 003	RB1 - J 22
FH7 - 4610 - 000	R11 - 20		R12 - 31		RB1 - J 102
FH7 - 5446 - 000	R40 - 46	FS6 - 2677 - 000	R10 - 25	VS1 - 6302 - 003	RB2 - J 109
FH7 - 5527 - 000	R40 - 47	FS6 - 2678 - 000	R40 - 64	VS1 - 6302 - 010	RB2 - J 107
FH7 - 5729 - 000	R41 - 37		R41 - 52	VS1 - 6321 - 002	RB2 - J 9
FH7 - 5826 - 000	R41 - 38	FS6 - 2679 - 000	R01 - 10		RB2 - J 11
FH7 - 5827 - 000	R12 - 21	FS6 - 2790 - 000	R04 - 28		RB2 - J 13
FH7 - 5828 - 000	R35 - 7	FS6 - 2791 - 000	R04 - 29		RB2 - J 23
FH7 - 7301 - 000	R36 - 10	FS6 - 2895 - 000	R41 - 53	VS1 - 6321 - 003	RB2 - J 5
	R11 - 21	FS6 - 2896 - 000	R03 - 13		RB2 - J 6
	R30 - 33		R05 - 11		RB2 - J 7
	R31 - 33	FS6 - 8412 - 000	R10 - 21		RB2 - J 10
	R40 - 48	FS7 - 0177 - 000	R12 - 32		RB2 - J 12
FH7 - 7462 - 000	R12 - 22	RH2 - 5283 - 000	RB2 - J 21		RB2 - J 18
	R12 - 23		RB2 - J 26		RB2 - J 19
	R41 - 39	VD7 - 0502 - 001	R11 - 31		RB2 - J 20
FS1 - 1189 - 000	R11 - 22		R35 - 8		RB2 - J 24
	R12 - 24	VS1 - 0279 - 002	RB1 - J 24		RB2 - J 25
	R40 - 49		RB1 - J 105	VS1 - 6321 - 004	RB2 - J 2
FS1 - 1512 - 000	R40 - 50		RB1 - J 111		RB2 - J 3
	R41 - 40		RB2 - J 22	VS1 - 6321 - 006	RB2 - J 14
FS1 - 1569 - 000	R41 - 41				

# D NUMERICAL INDEX

PART NUMBER	FIGURE & KEY NO.	PART NUMBER	FIGURE & KEY NO.	PART NUMBER	FIGURE & KEY NO.
VS1 - 6321 - 006	RB2 - J 105	XA9 - 0732 - 000	R10 - 27	XD2 - 1100 - 242	R41 - 503
VS1 - 6321 - 008	RB2 - J 108		R10 - 28	XD2 - 1100 - 372	R40 - 506
VS1 - 6321 - 010	RB2 - J 4		R10 - 29		R41 - 504
VS1 - 6321 - 012	RB2 - J 104		R11 - 36	XD2 - 1100 - 402	R40 - 507
VS1 - 6321 - 013	RB2 - J 103		R11 - 37		R41 - 505
VS1 - 6321 - 014	RB2 - J 8		R12 - 38	XD2 - 1100 - 502	R10 - 512
VS1 - 6372 - 010	RB2 - J 17		R12 - 39		R11 - 509
VS1 - 6373 - 010	RB2 - J 17		R30 - 41		R12 - 509
VS3 - 5083 - 002	RB1 - J 1		R31 - 41		R30 - 508
	RB1 - J 5		R31 - 42		R31 - 509
	RB2 - J 15		R40 - 65		R40 - 508
	RB2 - J 106		R41 - 54		R41 - 506
VS3 - 5083 - 003	RB1 - J 9	XA9 - 0949 - 000	R11 - 38	XD2 - 1100 - 642	R10 - 513
	RB2 - J 101		R12 - 40		R11 - 510
VS4 - 0001 - 003	RB1 - J 99	XB1 - 2231 - 009	R11 - 501		R30 - 509
	RB1 - J 1001		R12 - 501		R31 - 510
	RB1 - J 1002		R30 - 501		R31 - 511
	RB2 - J 201		R31 - 501		R40 - 509
	RB2 - J 202	XB1 - 2300 - 409	R11 - 502		R41 - 507
VS4 - 0002 - 003	RB1 - J 1002		R35 - 501	XD2 - 2100 - 602	R04 - 504
	RB2 - J 201		R35 - 502	XD2 - 2101 - 002	R11 - 511
VS9 - 5007 - 028	RB1 - J 3		R36 - 501	XD2 - 2300 - 402	R10 - 501
VT2 - 0002 - 003	R11 - 32		R40 - 501	XD3 - 1200 - 122	R40 - 510
	R12 - 34		R41 - 501		R41 - 508
WC4 - 0153 - 000	R30 - 39	XB1 - 2300 - 806	R10 - 502	XD3 - 1200 - 142	R40 - 511
	R31 - 39	XB1 - 2400 - 409	R35 - 503		R41 - 509
WC4 - 5148 - 000	R11 - 33		R36 - 502	XD3 - 1300 - 082	R40 - 512
WC4 - 5153 - 000	R12 - 35		R01 - 501		R41 - 510
WC8 - 0222 - 000	R11 - 13A	XB1 - 2400 - 609	R03 - 501	XD3 - 1300 - 102	R11 - 512
WD3 - 5057 - 000	R35 - 8		R05 - 501		R12 - 510
WS3 - 0437 - 000	RB1 - J 6		R10 - 503	XD3 - 2160 - 162	R04 - 505
	RB1 - J 24		R11 - 503	XD3 - 2200 - 102	R40 - 513
	RB1 - J 105		R11 - 504		R41 - 511
	RB2 - J 22		R12 - 502	XD3 - 2200 - 122	R30 - 510
WS3 - 0469 - 000	RB1 - J 103		R30 - 502		R31 - 512
	RB1 - J 111		R31 - 502		R40 - 514
WS3 - 0885 - 000	RB1 - J 105		R31 - 503	XD3 - 2200 - 142	R41 - 512
WS3 - 5018 - 000	RB2 - J 1		R41 - 502	XD3 - 2200 - 182	R30 - 511
WS3 - 5160 - 000	RB1 - J 1	XB1 - 2400 - 806	R10 - 504		R31 - 513
	RB1 - J 5		R10 - 505	XD9 - 0104 - 000	R04 - 30
	RB1 - J 9		R11 - 505	XD9 - 0134 - 000	R04 - 31
	RB2 - J 15		R12 - 503	XF9 - 0525 - 000	R40 - 66
	RB2 - J 101	XB1 - 2400 - 809	R03 - 502		R41 - 55
	RB2 - J 106		R04 - 501	XF9 - 0642 - 000	R10 - 30
WS3 - 5358 - 000	RB1 - J 22		R10 - 506	XG3 - 6012 - 405	R30 - 42
	RB1 - J 102		R11 - 506		R31 - 43
WS3 - 5419 - 000	RB2 - J 21		R12 - 504	XG9 - 0243 - 000	R40 - 67
	RB2 - J 26		R30 - 503		R41 - 56
WS3 - 5569 - 000	RB2 - J 17		R40 - 502	XG9 - 0250 - 000	R30 - 43
	RB2 - J 107	XB1 - 2401 - 207	R01 - 502		R31 - 44
	RB2 - J 109		R03 - 503		
WS3 - 5598 - 000	RB2 - J 17		R05 - 502		
WS4 - 0217 - 000	RB1 - J 1002	XB4 - 7301 - 209	R10 - 507		
	RB2 - J 201		R10 - 508		
WS4 - 0219 - 000	RB1 - J 99	XB4 - 7400 - 609	R02 - 501		
	RB1 - J 1001		R02 - 502		
	RB1 - J 1002	XB4 - 7400 - 807	R10 - 509		
	RB2 - J 201		R10 - 510		
	RB2 - J 202	XB4 - 7401 - 006	R04 - 502		
WS5 - 5025 - 000	RB1 - I N 1 0 0 1		R10 - 511		
	RB2 - I L 1		R40 - 503		
WT2 - 5041 - 000	R35 - 9	XB4 - 7401 - 009	R04 - 503		
	R36 - 11	XB6 - 2400 - 808	R30 - 504		
WT2 - 5169 - 000	R11 - 34		R31 - 504		
WT2 - 5395 - 000	R12 - 36	XB6 - 7300 - 309	R02 - 503		
X62 - 6825 - 000	R11 - 35		R02 - 504		
XA9 - 0266 - 000	R35 - 10	XB6 - 7300 - 409	R11 - 507		
	R35 - 11		R12 - 505		
	R35 - 12		R35 - 504		
	R36 - 12		R36 - 503		
	R36 - 13	XB6 - 7400 - 609	R30 - 505		
	R36 - 14		R31 - 505		
XA9 - 0628 - 000	R35 - 13	XB6 - 7400 - 809	R30 - 506		
	R36 - 15		R31 - 506		
XA9 - 0643 - 000	R10 - 26		R31 - 507		
XA9 - 0721 - 000	R30 - 40	XD1 - 1100 - 642	R12 - 506		
	R31 - 40		R12 - 507		
XA9 - 0724 - 000	R12 - 37	XD1 - 1108 - 225	R40 - 504		
XA9 - 0732 - 000	R01 - 11	XD1 - 4200 - 402	R11 - 508		
	R01 - 12		R12 - 508		
	R02 - 21	XD2 - 1100 - 242	R02 - 505		
	R03 - 14		R02 - 506		
	R03 - 15		R30 - 507		
	R05 - 12		R31 - 508		
	R05 - 13		R40 - 505		

Prepared by  
OFFICE IMAGING PRODUCTS TECHNICAL SUPPORT DEPT.1  
OFFICE IMAGING PRODUCTS TECHNICAL SUPPORT DIV.  
CANON INC.  
Printed in Japan

REVISION 0 [MAR. 1997]  
REVISION 1 [MAY 1998]  
REVISION 2 [NOV. 1998]

5-1, Hakusan 7-chome, Toride-shi, Ibaraki 302-8501, Japan

**Canon**